



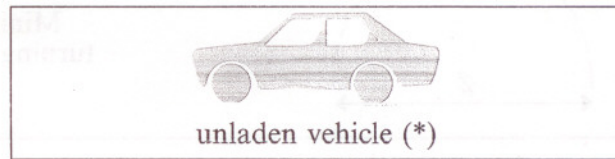
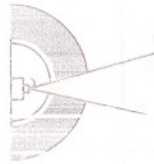
Wheels


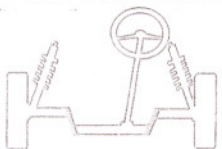

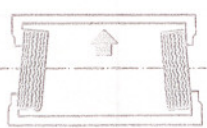
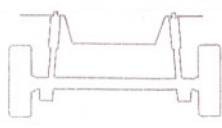

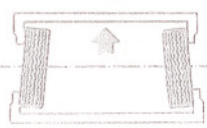
00.44

WHEELS

 Tyre	type	205/55 VR 15" (Eagle)	
		front and rear	low and average loads, even up to the maximum speed 2,3 bar
			heavy load and constant maximum speed 2,5 bar
maximum load homologated for each axle (1080 kg) and maximum speed 2,8 bar			
 Wheel rim	type	alloy 6 J x 15"	

WHEEL GEOMETRY



	camber (**) 	$- 40' \div 0$
 Front suspension	caster (**) 	$2^{\circ}30' \pm 3^{\circ} 10'$
	toe in 	$- 1 \div 1 \text{ mm}$
 Rear suspension	camber (**) 	$- 40' \div 0$
	toe in 	$2 \div 5 \text{ mm}$

(*) With the tyres inflated to the correct pressure and the vehicle in running order

(**) Angles cannot be adjusted