



GROUP 43

**ELECTRONIC PANEL AND
INSTRUMENTS**

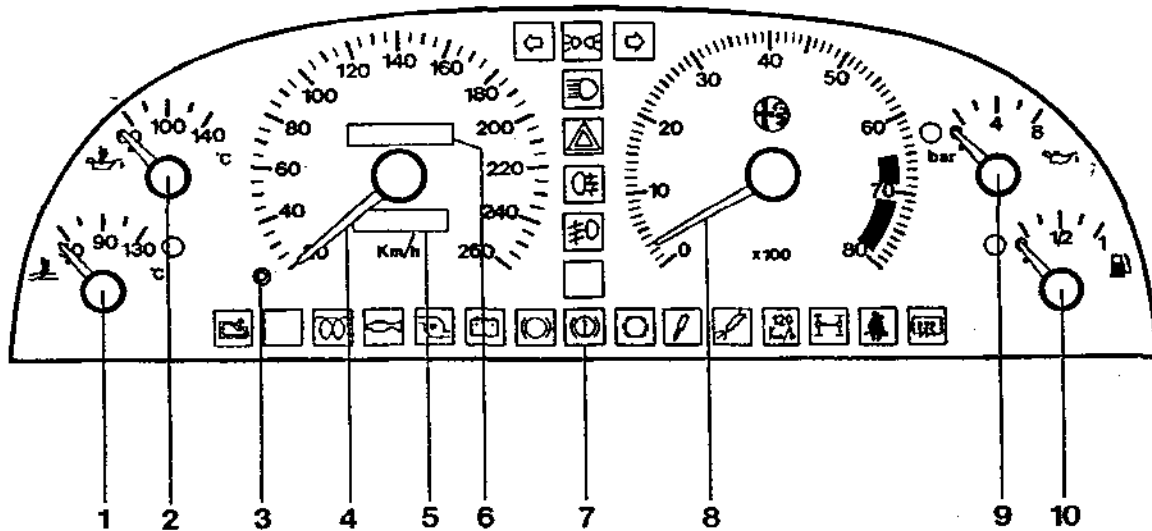
INDEX

- ELECTRONIC PANEL 43-2
 - Warning lights and services 43-3
- REAR POWER WINDOWS CONTROL
UNIT RELAY 43-4
 - Removal and refitting 43-4
- CONTROLLED DAMPING SUSPENSION
CONTROL UNIT 43-4
 - Removal and refitting 43-4

For all parts not given here, refer to the corresponding
Group in publication N° PA4655D1000000



ELECTRONIC PANEL



- | | |
|---|---|
| <ol style="list-style-type: none">1. Engine coolant temperature gauge with maximum temperature warning light2. Engine oil temperature gauge3. Partial odometer reset4. Speedometer5. Partial odometer | <ol style="list-style-type: none">6. Total odometer7. Services warning lights8. Rev counter9. Engine oil pressure gauge with insufficient pressure warning light10. Fuel gauge with reserve warning light |
|---|---|



SERVICES WARNING LIGHTS



Left-hand direction indicator



Sidelights and dipped-beam headlights



Right-hand direction indicator



Main-beam headlights



Hazard warning lights



Rear foglights



Front foglights



Generator warning light



ABS anti-wheel lock system



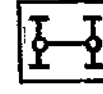
Brake fluid low level or handbrake "on" warning light



Brake pads



Controlled damping suspension



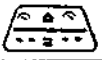
Four-wheel drive engaged



Safety belts



Heated rear windscreen

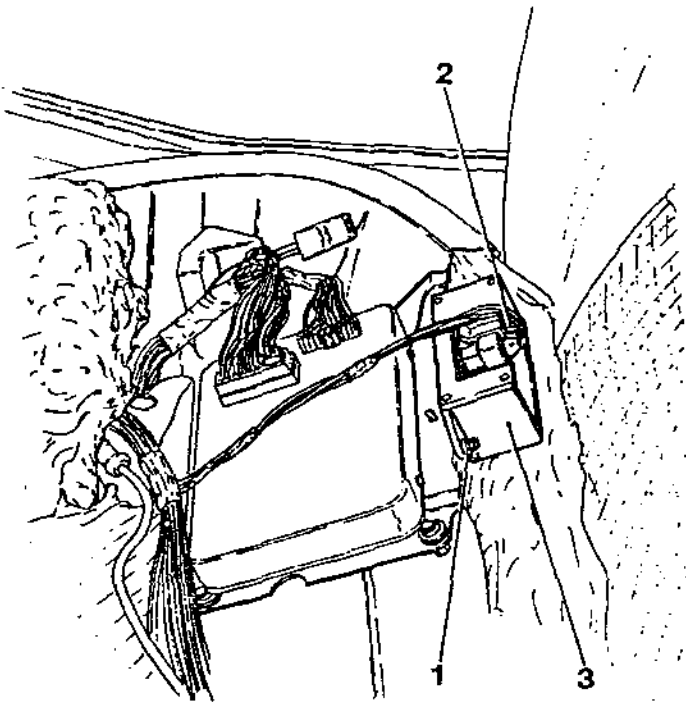


REAR POWER WINDOW CONTROL UNIT RELAY

REMOVAL AND REFITTING

Removal

- The rear power window control unit relay is located under the rear seat on the controlled damping suspension control unit support.
1. Unscrew the nuts securing the relay to the control unit support.
 2. Disconnect the electrical connections.
 3. Remove the relay.



Refitting



To refit, reverse the procedure followed for removal.

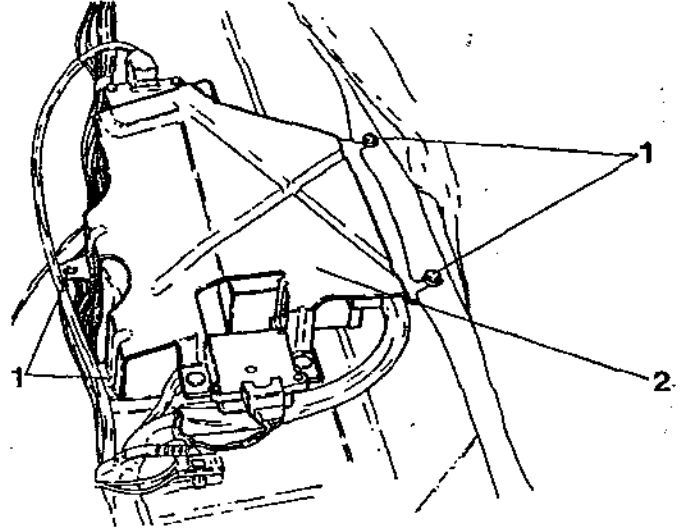
PA4736D14x4000

CONTROLLED DAMPING SUSPENSION CONTROL UNIT

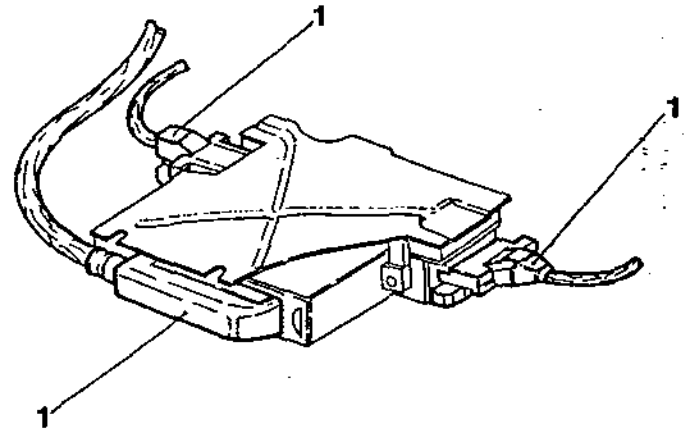
REMOVAL AND REFITTING

Removal

- The control unit is located under the rear seat.
1. Loosen the screws securing the control unit support to the chassis.
 2. Remove the control unit and support.



1. Disconnect the power supply connectors from the control unit.



Refitting



To refit, reverse the procedure followed for removal.

12 - 1991