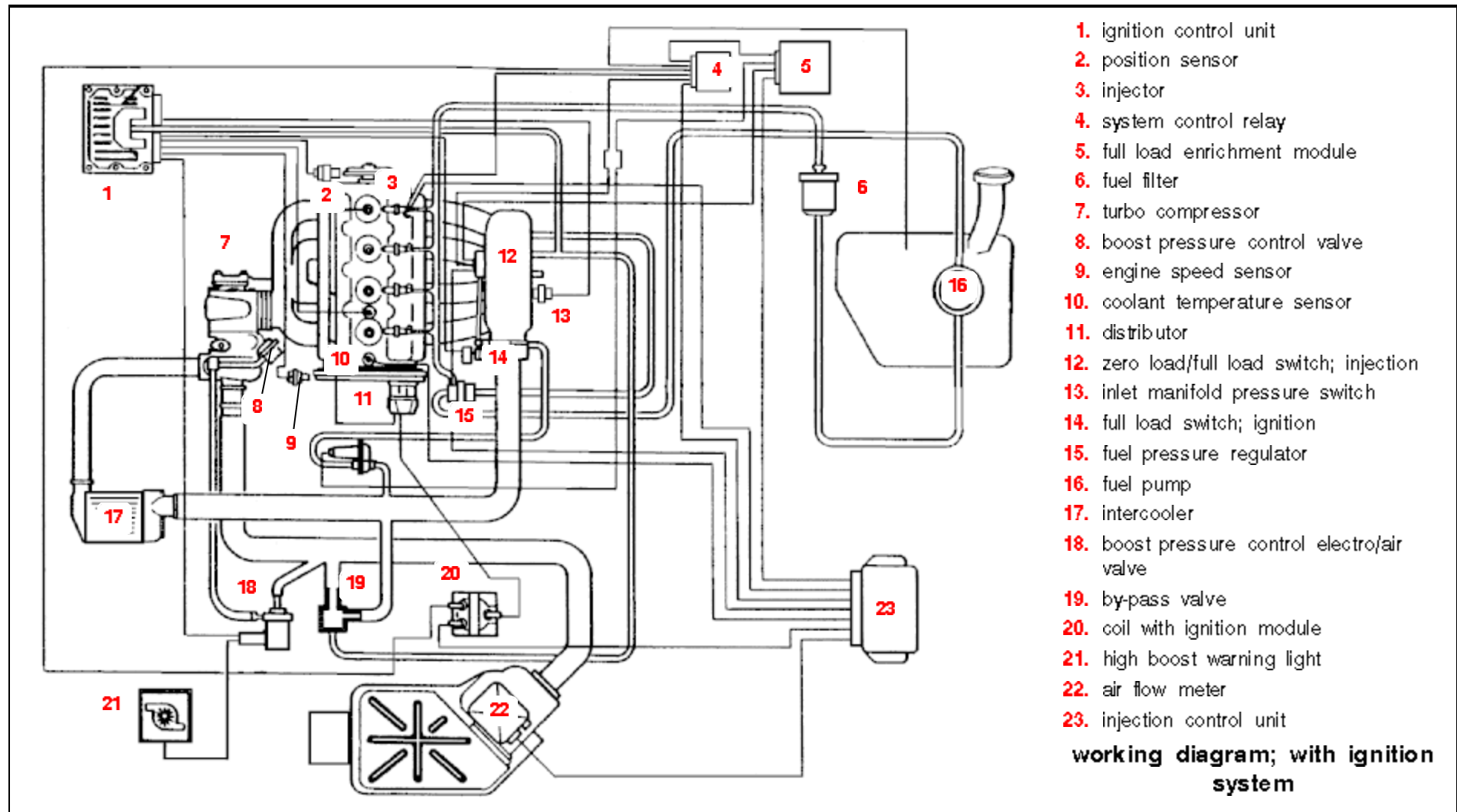
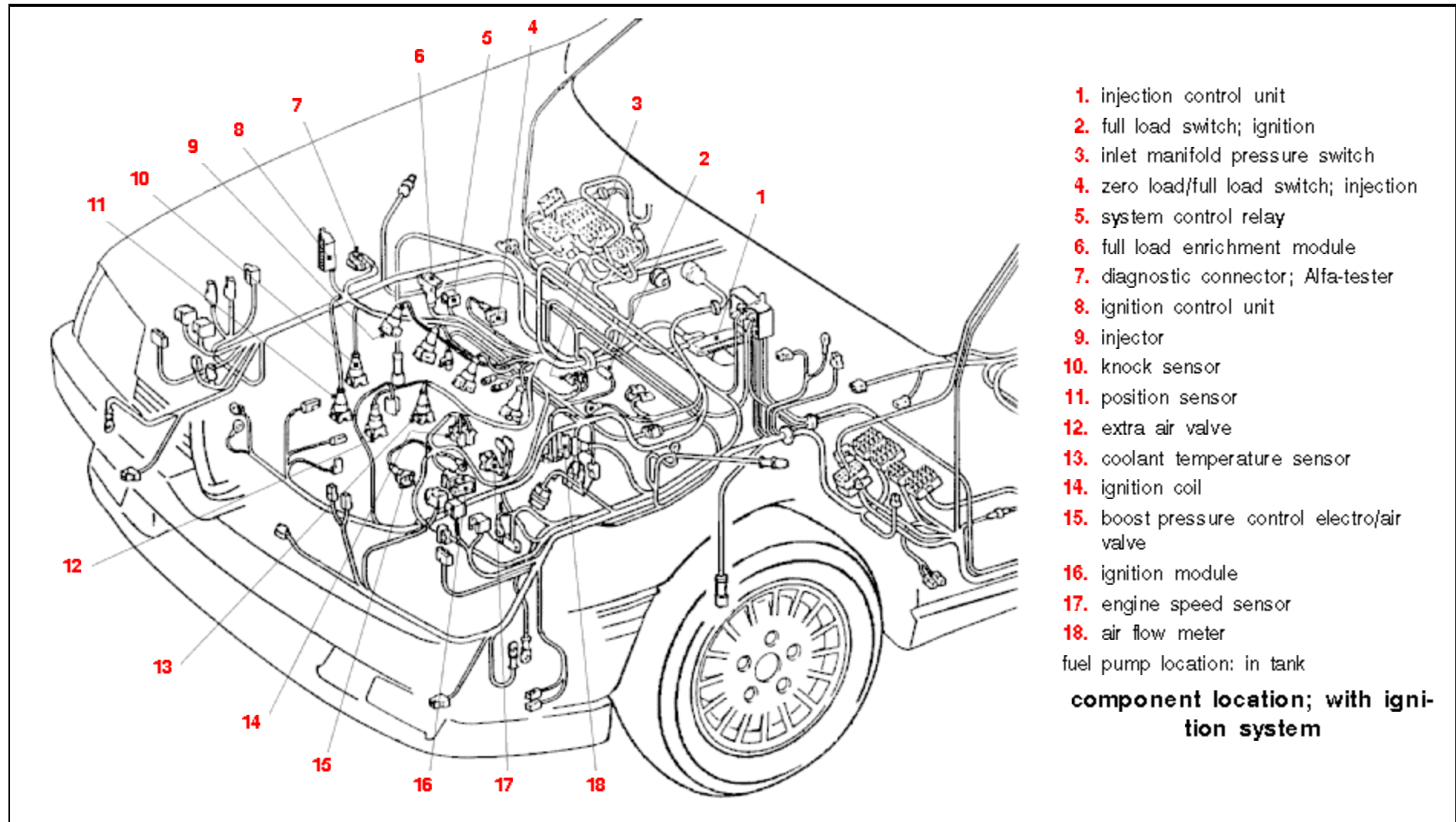


## Injection

## - LE2-Jetronic: 2.0 Turbo 4-cylinder





1. injection control unit
  2. full load switch; ignition
  3. inlet manifold pressure switch
  4. zero load/full load switch; injection
  5. system control relay
  6. full load enrichment module
  7. diagnostic connector; Alfa-tester
  8. ignition control unit
  9. injector
  10. knock sensor
  11. position sensor
  12. extra air valve
  13. coolant temperature sensor
  14. ignition coil
  15. boost pressure control electro/air valve
  16. ignition module
  17. engine speed sensor
  18. air flow meter
- fuel pump location: in tank

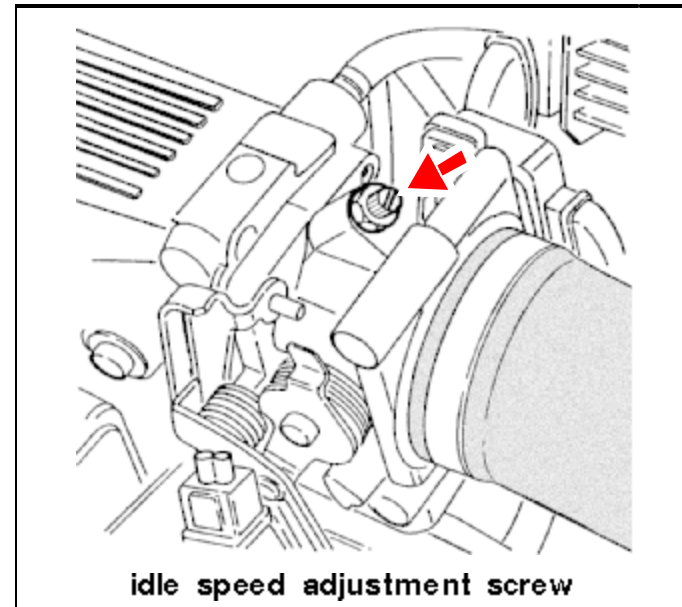
**component location; with ignition system**

This is a multipoint injection system.

The turbocharger boost pressure is regulated by the ignition control unit; see *Ignition*.

**technical specifications**

fuel pump pressure	no data
system pressure	2,8 - 3,2 bar; measure after the fuel accumulator; hose between inlet manifold and fuel pressure regulator disconnected

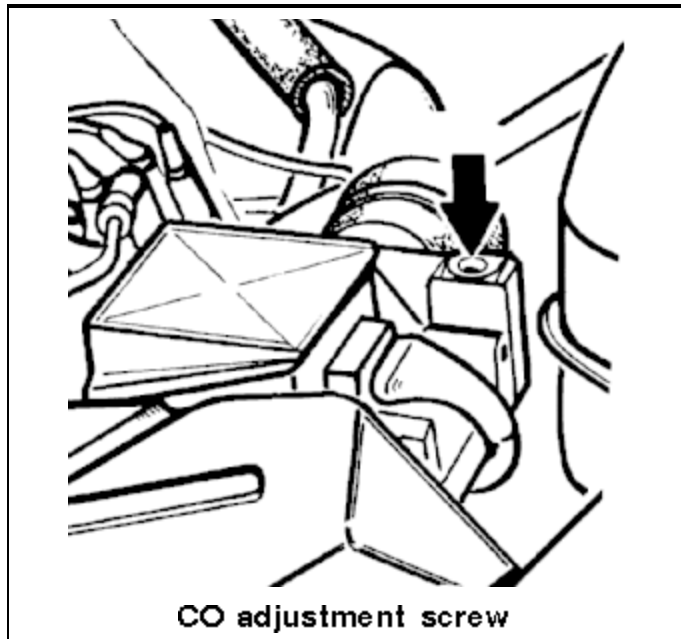
**Adjustments****Idle speed****idle speed adjustment screw**

idle speed	700 - 800/min
------------	---------------

Check the idle speed with engine at operating temperature and ignition correctly set.

Adjust by turning the adjustment screw.

## CO-percentage



CO-percentage	1 - 2 %
---------------	---------

Check the CO-percentage with engine at operating temperature. Ignition and idle speed must be correctly set.

Adjust by turning the adjustment screw.

## Fast idle speed

fast idle speed	no data
-----------------	---------

no data

## Fault finding

## Fault codes

The control unit has no self-diagnostic facility.

## Components signal simulation

## Oxygen sensor signal simulation

See: General - Electronic Control Systems, under [Oxygen sensors](#).

