

## GROUP 40

## CONTENTS

STANDARDS AND PRECAUTIONS FOR OPERATIONS ON ELECTRICAL SYSTEM .....	(*)	Lamps under rheostat (wiring diagram) .....	(*)
HOW TO READ THE WIRING DIAGRAM .....	(*)	<b>SENSORS AND SENDERS</b> .....	40-8
POWER SUPPLY DISTRIBUTION .....	40-3	Engine cooling down, lubrication and brakes and clutch liquid level (wiring diagram) .....	(*)
Power supply distribution diagram (wiring diagram) .....	(*)	Fuel supply (wiring diagram) .....	40-8
Fuses .....	40-3	Rev. counter and odometer (wiring diagram) .....	(*)
Ignition switch .....	(*)	<b>WINDSCREEN WASH/WIPE AND HEADLIGHT WASHER</b> .....	40-9
<b>ELECTROMECHANIC DEVICES AND INTERMITTENCES</b> .....	(*)	Windscreen wiper .....	(*)
<b>LIGHTING SYSTEM</b> .....	40-5	Windscreen wash/wipe and headlight washer (wiring diagram) ..	40-9
Lamps .....	(*)	<b>ELECTRIC ACCESSORIES</b> .....	40-10
Combination switch unit .....	(*)	Horns and heated rear window .....	(**)
External lighting-front side (wiring diagram) .....	(*)	Horns .....	(*)
External lighting-rear side (wiring diagram) .....	40-5	Heated rear window .....	(*)
Front combination lamps .....	(*)	Power windows (wiring diagram) ..	(*)
Side repeaters .....	(*)	Door-lock device (wiring diagram) ..	(*)
Rear combination lamps .....	(*)	Door-lock control unit .....	(*)
Rear refractive strip and number plate lights .....	(*)	Door-unlock switch .....	(*)
Fog lights and rear fog lights (wiring diagram) .....	40-6	Car radio, clock, headphones and cigar lighter (wiring diagram) .....	40-10
Inside lighting (for vehicles without sun roof) (wiring diagram) .	(*)	Front cigar lighter .....	(*)
Inside lighting (for vehicles with sun roof) (wiring diagram) .....	40-7	Rear cigar lighter .....	(*)
		Clock .....	(*)
		Sun roof (wiring diagram) .....	40-11
		Electrical rearview mirrors (wiring diagram) .....	40-12

---

## CONTENTS (cont.d)

TOW HOOK (wiring diagram) . . . . . (*)	FUNCTIONAL DIAGRAM . . . . .	40-15
WARNING LAMP PANEL . . . . . (*)	KEY TO WIRING DIAGRAM . . . . .	40-17
ELECTRONIC DEVICES . . . . .		40-13
ALFA ROMEO Control (wiring diagram) . . . . .		40-13

(\*) As per **Alfa 75**

(\*\*) As per **Alfa 75 16 18**

### WARNING:

To read the wiring diagrams related to:

- INJECTION AND IGNITION refer to Group 00
- STARTING AND CHARGING SYSTEM refer to:  
WORKSHOP MANUAL - Petrol engines - Group 05
- WIRING refer to the updating to be issued in the  
near future.

# POWER SUPPLY DISTRIBUTION

## FUSES

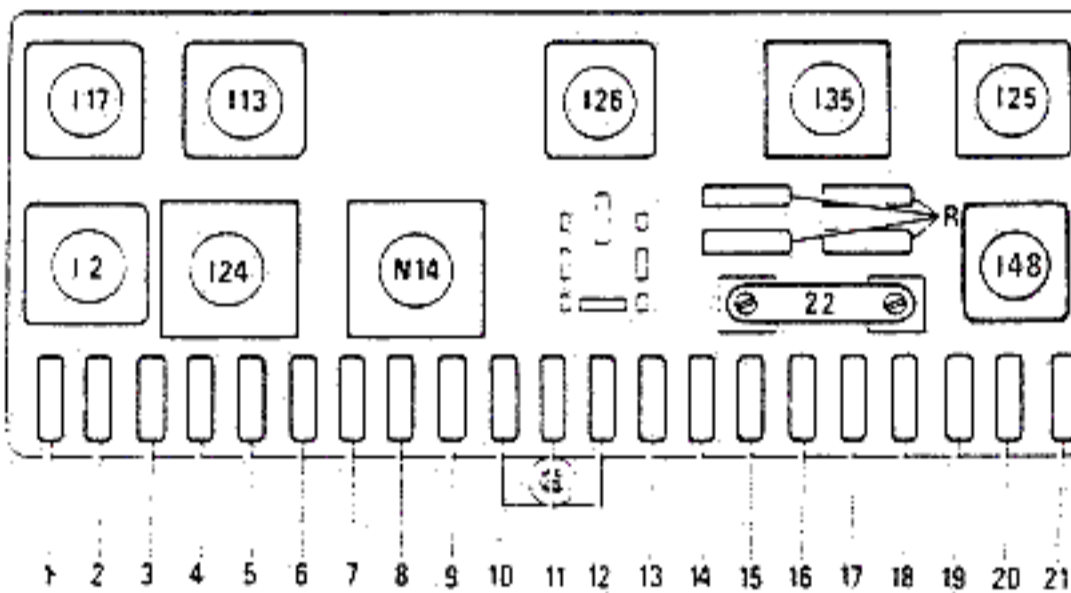
### CAUTION:

- Should a fuse blow, before replacing it, make sure that the cause of failure has been removed.
- Use only fuses having same amperage. Do never use fuses having amperage greater than that prescribed.
- Insert the fuse correctly into its housing.

### LOCATION

As per basic model without supercharging.

### SERVICES PROTECTED BY FUSES



R: Spare fuses

- 12 Heated rear screen relay
- 113 Rear power window relay
- 117 Foglight relay
- 124 Side/Hazard lights relay
- 125 Rear fog light relay
- 126 Roof lamp relay
- 135 Key operated supply relay
- 148 Ignition switch-operated relay for ALFA ROMEO Control and instruments
- N14 Windscreen wiper intermittence

The following table specifies the services which are protected by each fuse.

Table "Fuses"

Fuse Number	Service Protected	Ampere	Model	
			LHD	RHD
1	Fog light	15	X	X
2	Door lock	10	X	X
3	Heated rear window	20	X	X
4	Headlight washer	20	X	X
5	Rear power window	25	X	X

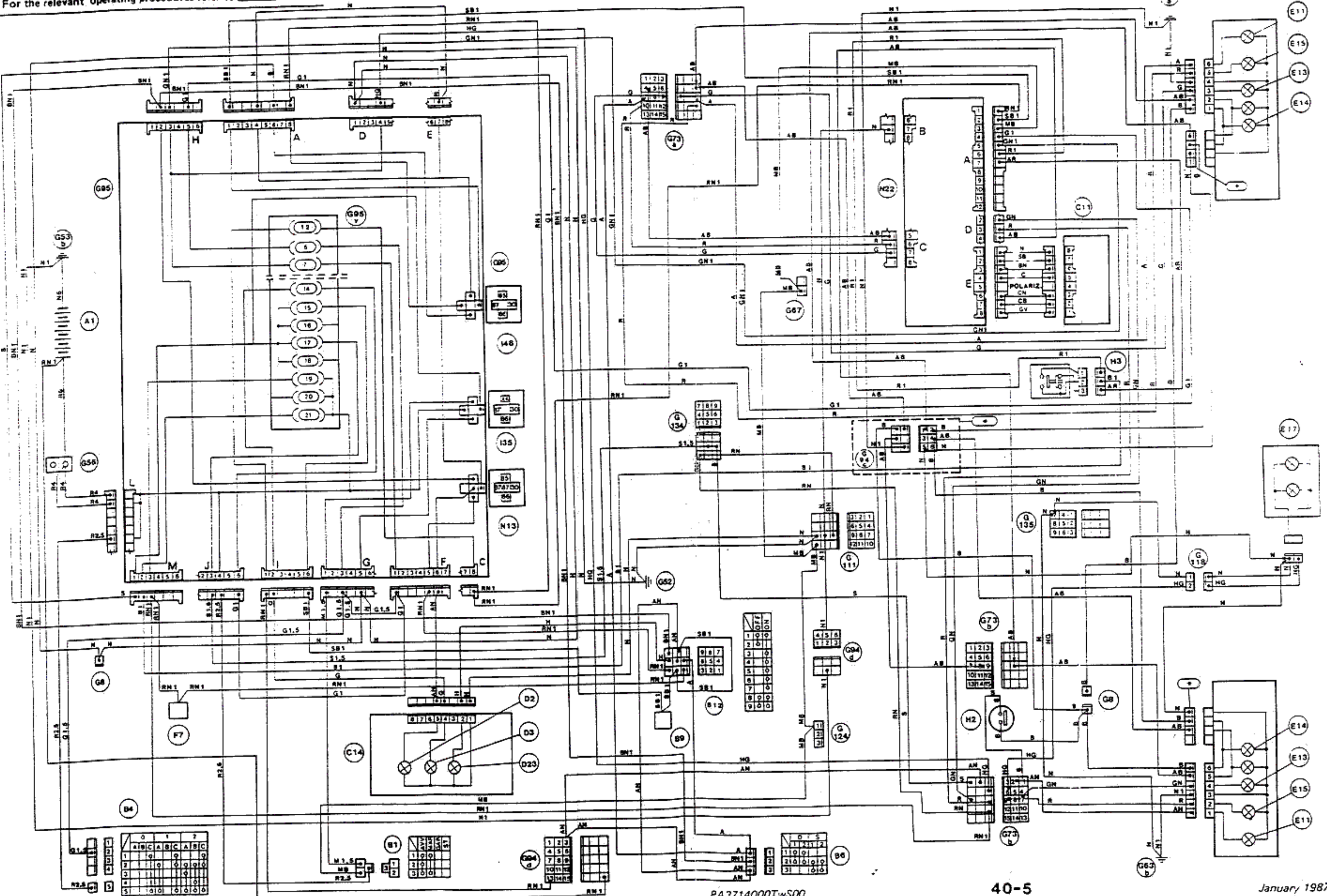
Table "Fuses" (Continued)

Fuse Number	Service Protected	Amps	Model	
			LHD	RHD
6	Front left and rear right side lights	7.5	X	X
7	Front right and rear left side lights	7.5	X	X
8	Left full beam	7.5	X	X
9	Right full beam	7.5	X	X
10	Right low beam	10	X	X
11	Left low beam	7.5	X	X
12	ALFA ROMEO Control Relay I48 switch	10	X	X
13	Coil for electronic injection unit multi-function relay	15	X	X
14	Instruments lighting	7.5	X	X
15	+ 15 V switches - cluster lighting ALFA ROMEO Control Windscreen wash/wipe	15	X X X	X X X
16	Heater	20	X	X
17	Reverse light switch + 15 V roof switches Rear cigar lighter Sun roof	15	X	X
18	Front power windows	25	X	X
19	Passenger compartment roof lamp-passenger compartment spot light Clock Car radio - electric aerial Direction indicators	15	X X X X	X X X X
20	+ 30 V electronic injection control unit Fuel pump Rear window wiper	20	X	X
21	Stop lights Front cigar lighter Relay and fusebox lighting	15	X X X	X X X

# LIGHTING SYSTEM

## EXTERNAL LIGHTING - REAR SIDE (wiring diagram)

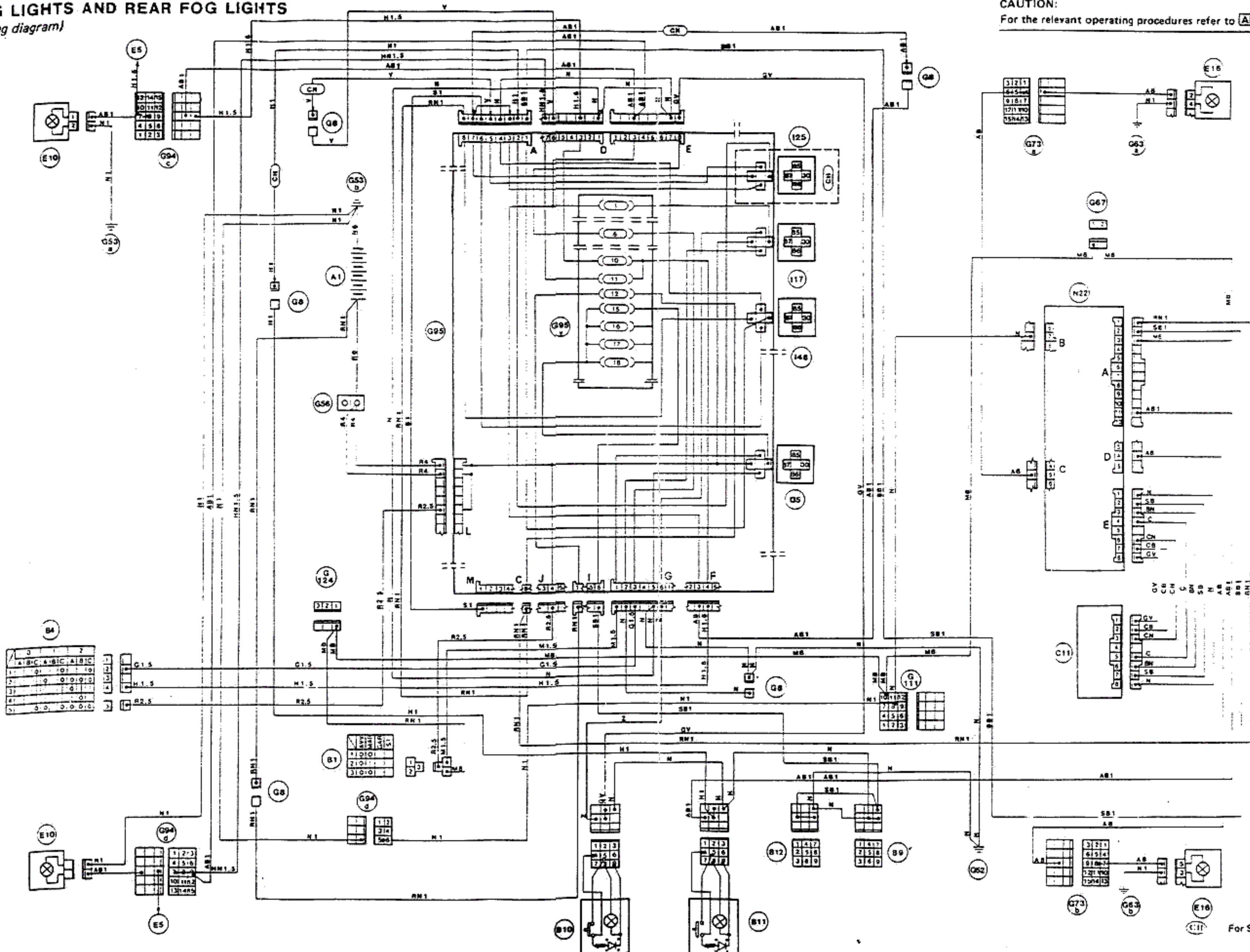
CAUTION:  
For the relevant operating procedures refer to **Alfa 75** manual.



[\*] For Sport-Wagon only

FOG LIGHTS AND REAR FOG LIGHTS  
(wiring diagram)

CAUTION:  
For the relevant operating procedures refer to **Alfa 75** manual.



GV  
CN  
CH  
C  
BN  
SD  
N  
AB  
AB1  
SB1  
RN1

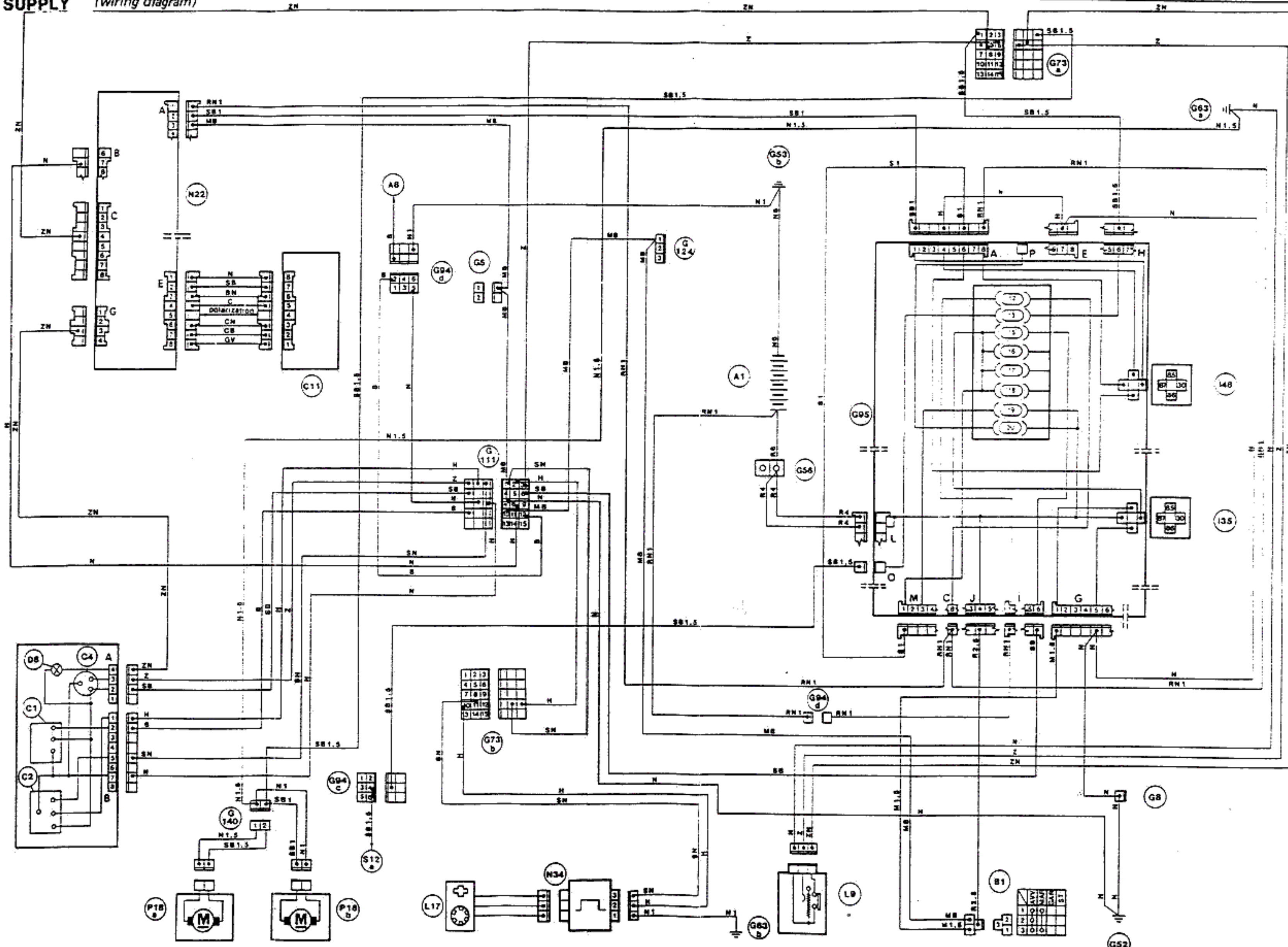
For Switzerland only



# SENSORS AND SENDERS

FUEL SUPPLY (wiring diagram)

CAUTION:  
For the relevant operating procedures refer to [AJF]





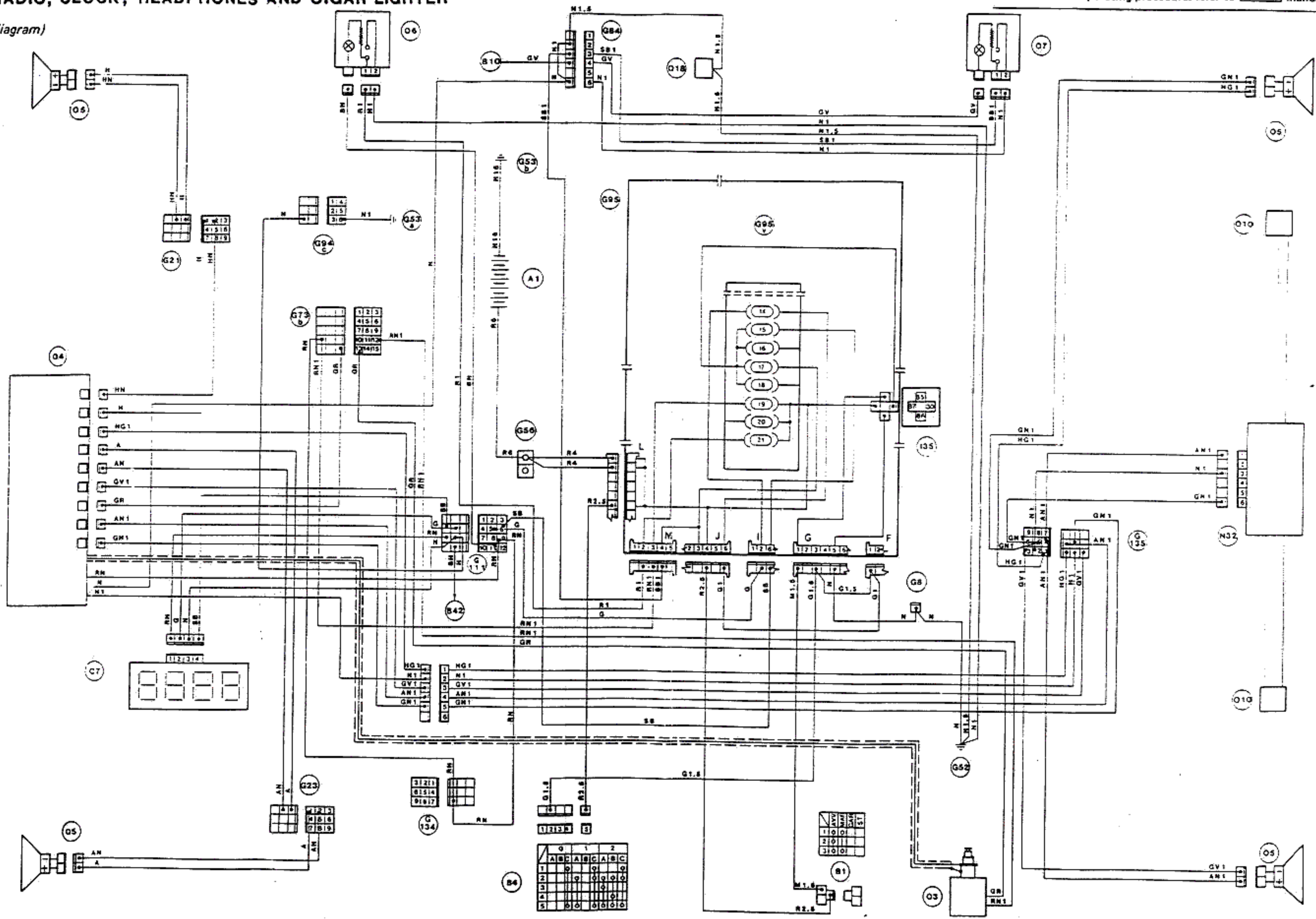


# ELECTRIC ACCESSORIES

## CAR RADIO, CLOCK, HEADPHONES AND CIGAR LIGHTER

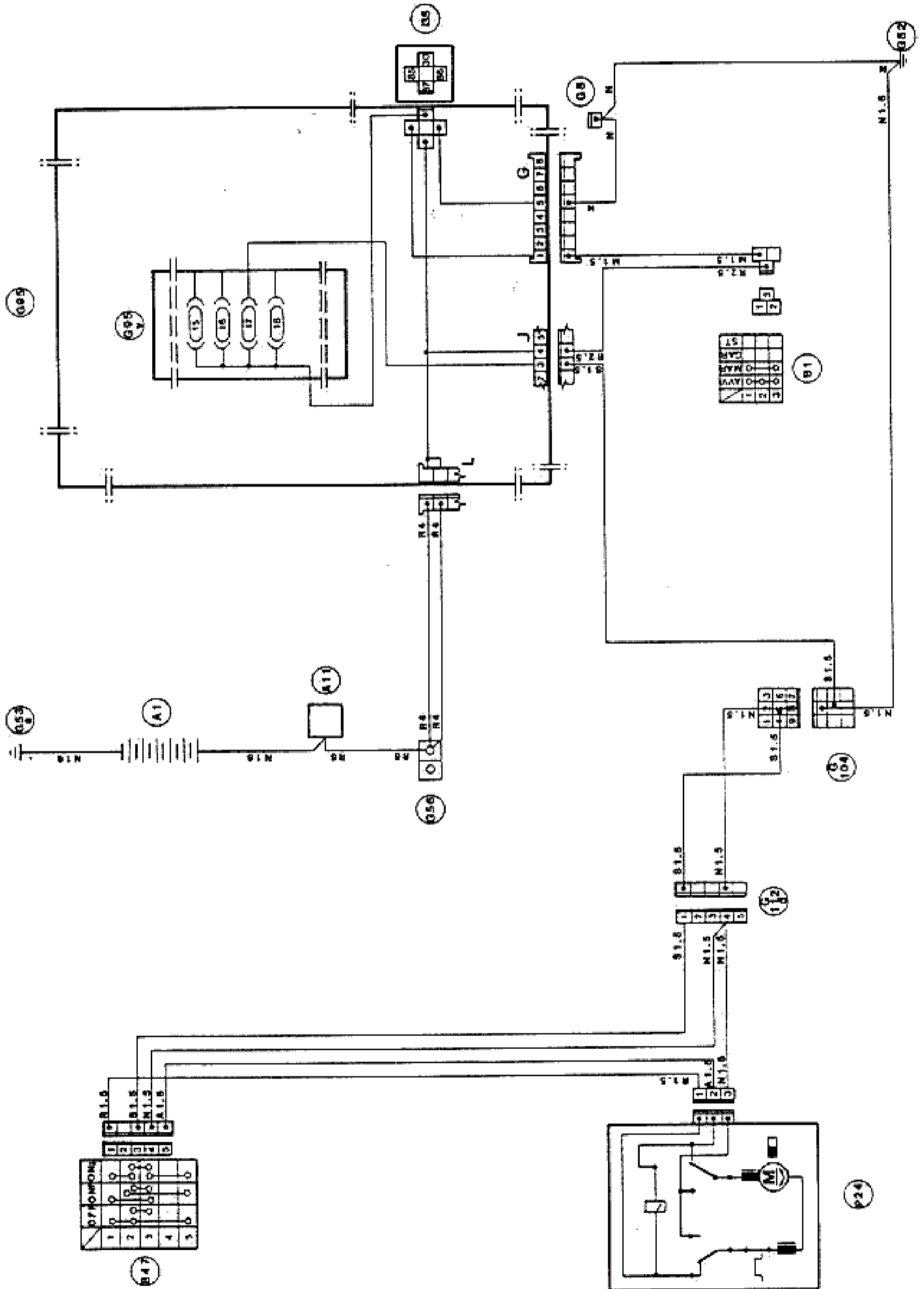
(wiring diagram)

CAUTION:  
For the relevant operating procedures refer to **Alfa 75** manual.



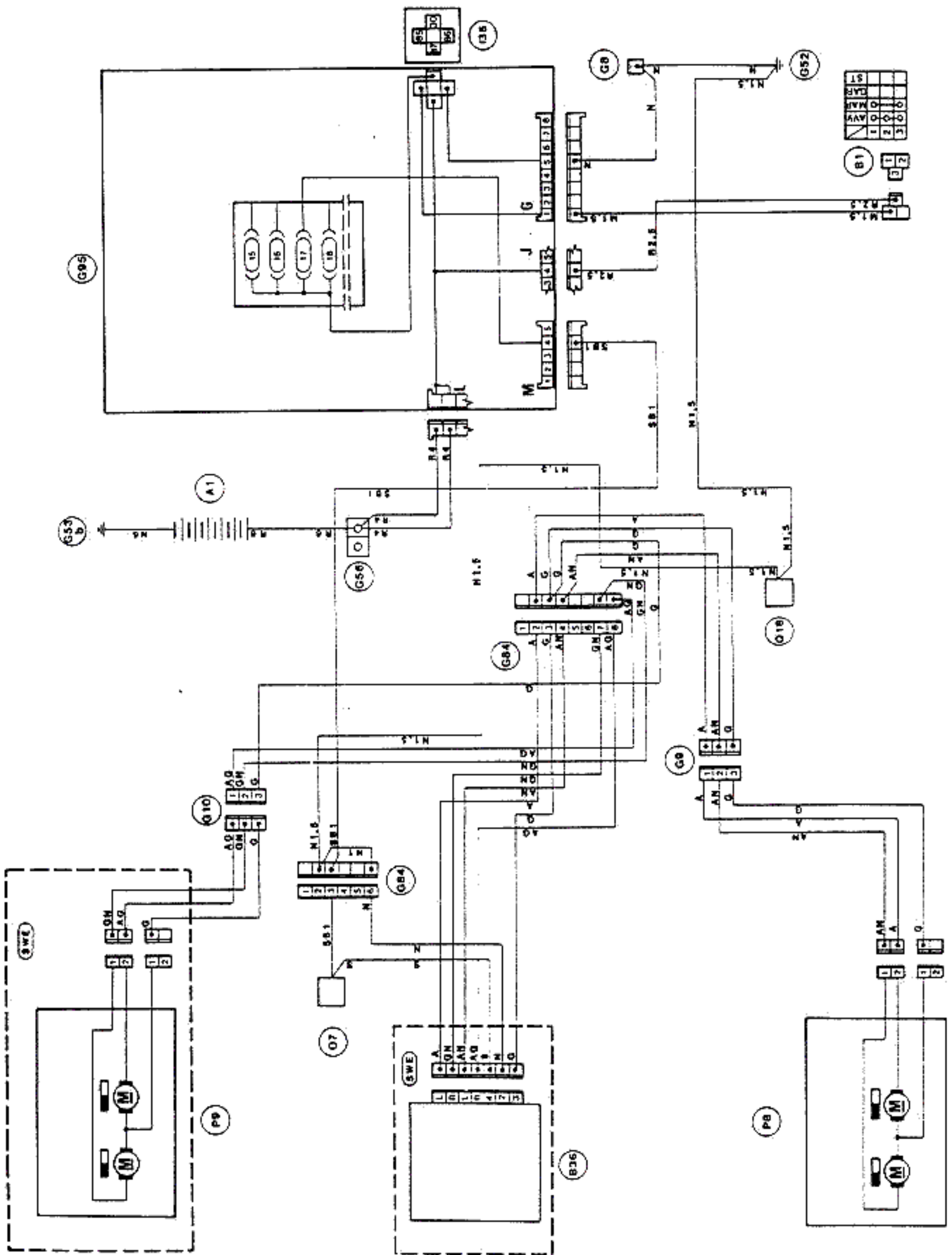
# ELECTRICAL SYSTEM

## SUN ROOF (wiring diagram)



# ELECTRICAL REARVIEW MIRRORS

(wiring diagram)

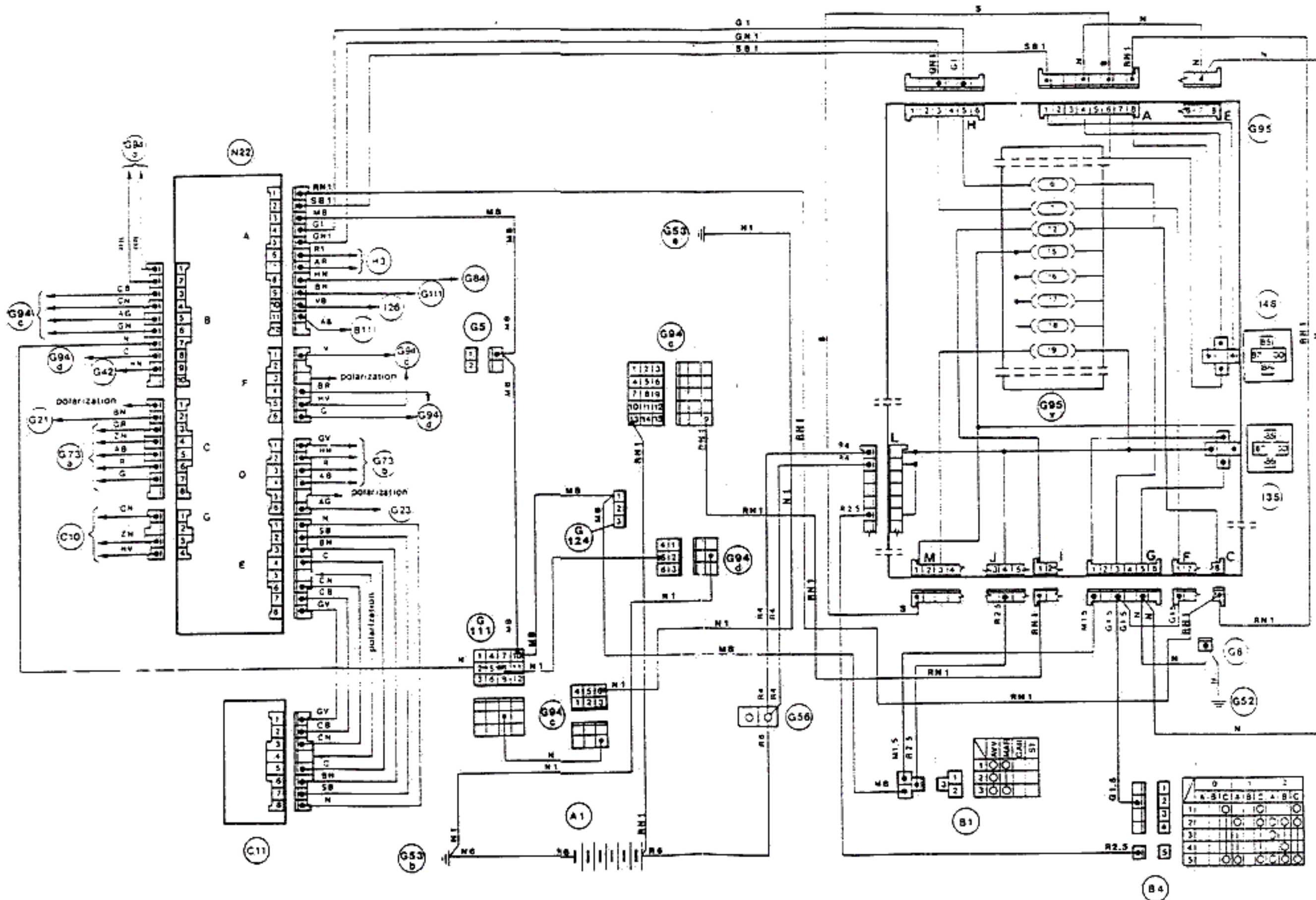


## ELECTRONIC DEVICES

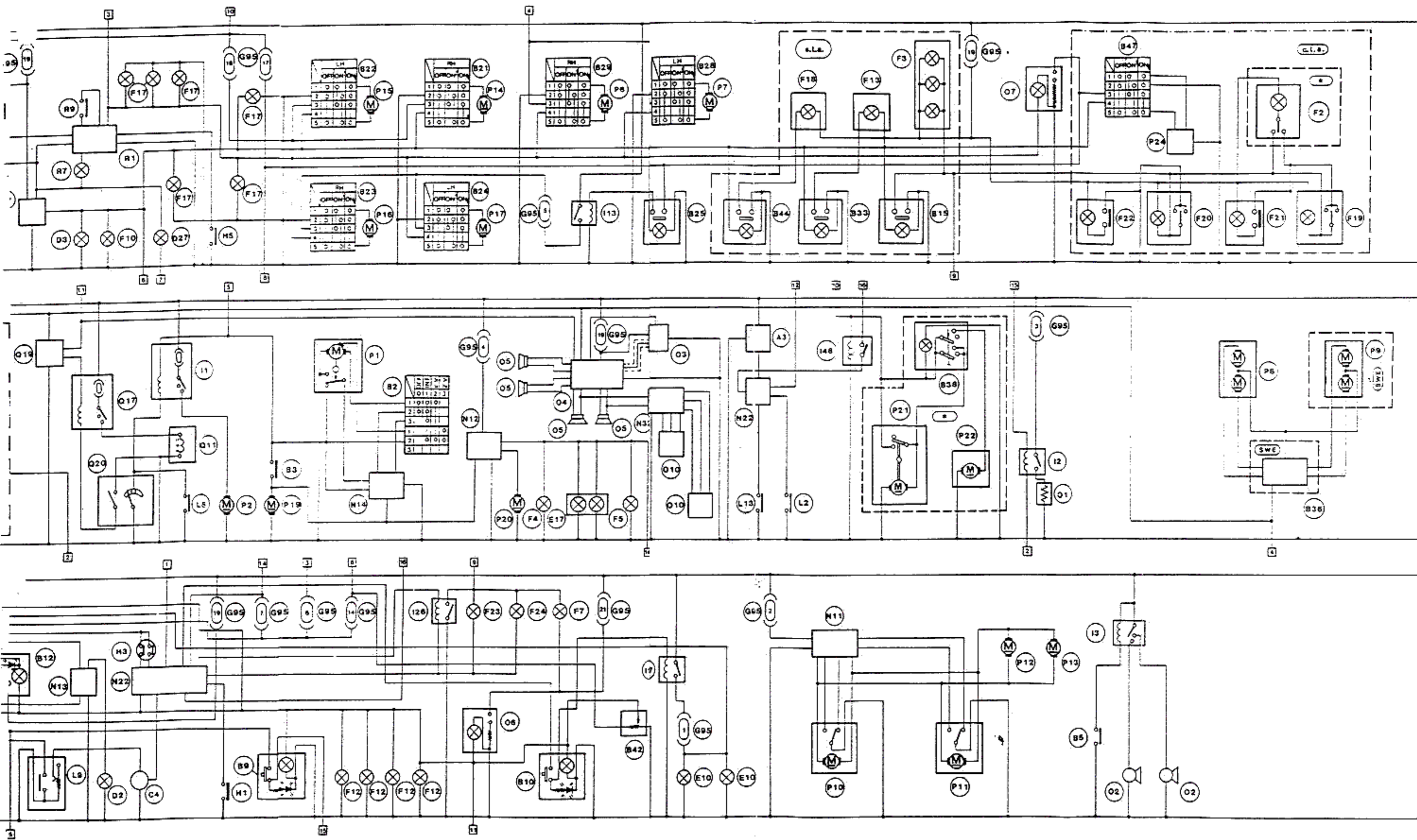
ALFA ROMEO CONTROL *(wiring diagram)*

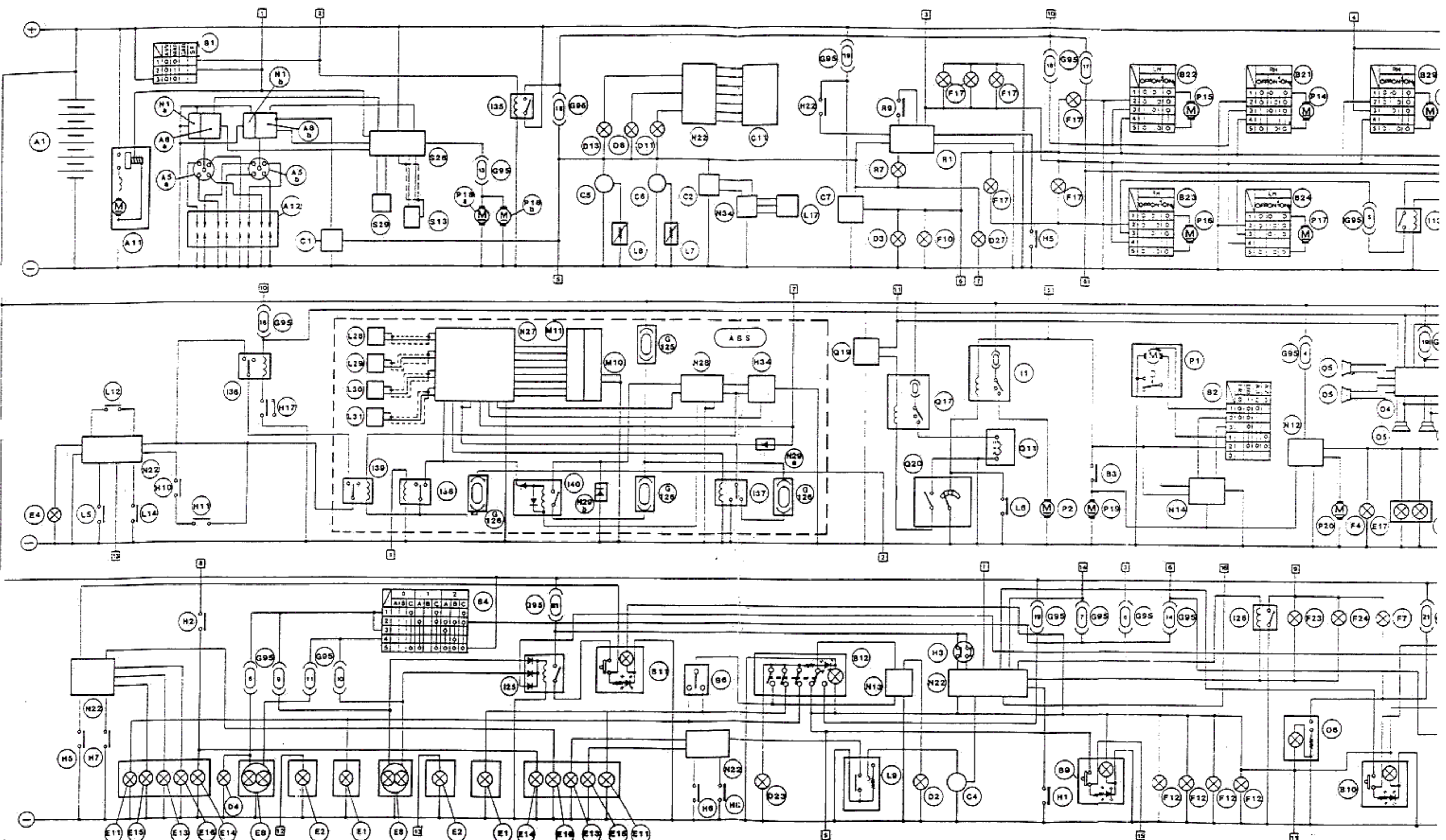
## CAUTION:

For the relevant operating procedures refer to **Alfa 75** manual.



# FUNCTIONAL DIAGRAM





# KEY TO WIRING DIAGRAM

## A: STARTING - CHARGING

- A1 Battery
- A2 Alternator
- A3 Alternator with integral electronic voltage regulator
- A4 Voltage regulator
- A5 Ignition distributor
- A5a Ignition distributor A
- A5b Ignition distributor B
- A6 Pulse generator
- A7 Rotor
- A8 Ignition coil
- A8a Ignition coil A
- A8b Ignition coil B
- A9 Coil resistor
- A10 2-way connector for coil
- A11 Starter motor
- A12 Spark plugs
- A13 Pre-heating glow plugs
- A14 Alternator cable terminal board

## B: MANUAL ELECTRIC CONTROLS

- B1 Ignition switch
- B2 Windscreen wiper control switch
- B3 Windshield washer and/or headlamp wash/wiper pump control switch
- B4 Control switch for side lights, flashing, low/full beam headlamps
- B5 Horn control switch
- B6 Direction indicators control switch
- B7 Low beam flashing control switch
- B8 Full beam flashing control switch
- B9 Heated rear window control switch
- B10 Fog lamp control switch
- B11 Rear fog lamp control switch
- B12 Road hazard lights control switch
- B13 Passenger compartment front roof lamp control switch
- B14 Passenger compartment rear roof lamp control switch
- B15 Passenger compartment roof lamp control switch
- B16 Cluster lighting dimmer rheostat
- B17 Gearbox oil level warning lamp switch
- B18 Door lock control switch on front right door
- B19 Door lock control switch on front left door
- B20 Interior door locking switch
- B21 Front right power window control switch
- B22 Front left power window control switch
- B23 Rear right power window control switch
- B24 Rear left power window control switch
- B25 Rear power window inhibitor switch
- B26 Rear power window and rear cigar lighter inhibitor switch
- B27 Front seat height control switch
- B28 Front left backrest control switch
- B29 Front right backrest control switch
- B30 Door mirror control switch
- B31 Antenna control switch
- B32 Windshield washer pump control
- B33 Front spot light switch
- B34 Rear left spot light switch
- B35 Rear right spot light switch
- B36 Door mirror double control switch
- B37 Parking light control switch
- B38 Rear window wiper control switch
- B39 Trip odometer recall microswitch
- B40 Trip odometer reset microswitch
- B41 VF electronic rheostat

- B42 Lamp dimmer rheostat
- B43 Internal control switch for door unlock
- B44 Rear spot light control switch
- B45 Identification light control switch
- B46 Two note horns - normal horns control switch
- B47 Sun roof motor control switch
- B48 Intercom system control switch
- B49 Speak/listen changeover switch
- B50 Siren control switch
- B51 Driver's seat heater control switch

## C: INSTRUMENTS

- C1 Electronic rev counter
- C2 Electronic speedometer
- C3 Voltmeter
- C4 Fuel level gauge
- C5 Oil pressure gauge
- C6 Coolant temperature gauge
- C7 Clock
- C8 Space free for instrument
- C9 Turbocharger air pressure gauge
- C10 Cluster (\*)
- C11 ALFA ROMEO Control display
- C12 Performance gauge display
- C13 Optoelectronic cluster
- C14 Warning lamp panel
- (\*) C10 A/B/C/D/E/F Cluster connectors

## D: WARNING LAMPS

- D1 Alternator charge warning lamp
- D2 Direction indicator warning lamp
- D3 Side light warning lamp
- D4 Full beam warning lamp
- D5 Brake fluid low level warning lamp
- D6 Heater/ventilation warning lamp
- D7 Handbrake warning lamp
- D8 Fuel reserve warning lamp
- D9 Choke warning lamp
- D10 Handbrake ON - brake fluid level warning lamp
- D11 Engine oil minimum pressure warning lamp
- D12 Pre-heating glow plug warning lamp
- D13 Engine coolant high temperature warning lamp
- D14 Maximum air pressure warning lamp
- D15 Minimum fuel pressure warning lamp
- D16 Free warning lamp
- D17 Gear position warning lamp
- D18 Manual injection advance warning lamp
- D19 Brake pad wear warning lamp
- D20 Rear drive engagement warning lamp
- D21 ALFA ROMEO Control warning lamp
- D22 Heated rear window warning lamp
- D23 Hazard lights warning lamp
- D24 Rear fog light warning lamp
- D25 Fog light warning lamp
- D26 Injection diagnosis warning lamp
- D27 A.B.S. system warning lamp
- D28 Identification light warning lamp
- D29 Ignition diagnosis warning lamp (antiknocking)

## E: EXTERNAL LIGHTS

- E1 Front direction indicator



E. EXTERNAL LIGHTS (continued)

- E2 Front side light
- E3 Front direction indicator and side light
- E4 Front side marker light
- E5 Low beam light
- E6 Low beam light with incorporated side light
- E7 Full beam light
- E8 Low and full beam light
- E9 Side repeater
- E10 Fog light
- E11 Rear direction indicator
- E12 Rear side marker light
- E13 Rear parking light
- E14 Reversing light
- E15 Stop light
- E16 Rear fog lamp
- E17 Numberplate light
- E18 Stop and rear side light
- E19 Rear right light
- E20 Rear left light
- E21 Inspection light
- E22 Identification light

F. INTERIOR LIGHTS

- F1 Passenger compartment front roof lamp
- F2 Passenger compartment rear roof lamp
- F3 Passenger compartment roof lamp
- F4 Engine compartment lamp
- F5 Luggage compartment lamp
- F6 Door open signalling light
- F7 Fuse light
- F8 Heater/ventilation controls lighting lamp
- F9 Glovebox light
- F10 Ashtray light
- F11 Map light
- F12 Cluster light
- F13 Front spot light
- F14 Rear right spot light
- F15 Rear left spot light
- F16 Ignition switch light
- F17 Switch illumination light
- F18 Rear spot light
- F19 Passenger compartment roof lamp - right side
- F20 Passenger compartment roof lamp - left side
- F21 Reading spot light with switch - right side
- F22 Reading light with switch - left side
- F23 Floor lighting lamp on right internal valance panel
- F24 Floor lighting lamp on left internal valance panel
- F25 Vanity mirror roof lighting on sun visor
- F26 Gearbox lever panel lighting lamp

G. FUSEBOX - CONNECTORS - GROUNDS

- G1 Fusebox
- G2 Auxiliary fusebox
- G3 Fusebox terminal
- G4 Free fusebox
- G5 Multiple connector
- G6 Multiple connector B - cluster
- G7 Multiple connector R - cluster
- G8 Single connector
- G9 Connector between front left door wiring and door mirror switch
- G10 Connector between front right door wiring and door mirror switch
- G11 Connector between board wiring and rear wiring

- G12 Connector between board wiring and courtesy mirror switch
- G13 Connector between board wiring and console wiring
- G14 3-way connector between board wiring and door wiring
- G15 2-way connector between board wiring and door wiring
- G16 6-way connector between board wiring and door wiring
- G17 Connector between board wiring and front right door wiring
- G18 Connector between board wiring and front left door wiring
- G19 Connector between board wiring and passenger compartment roof lamp
- G20 Connector for front right door - locking motor
- G21 Connector for front right door wiring
- G22 Connector for front left door - locking motor
- G23 Connector for front left door wiring
- G24 Connector for rear right door - locking motor
- G25 Connector for rear right door wiring
- G26 Connector for rear left door - locking motor
- G27 Connector for rear left door wiring
- G28 Connector between front right door wiring and power window switch
- G28a Connector between rear right door wiring and power window switch
- G29 Connector between door lock wiring and rear power windows
- G30 Connector for power windows and door lock
- G31 Connector between front left door wiring and power window switch
- G31a Connector between rear left door wiring and power window switch
- G32 Connector between console wiring and rear right door wiring
- G33 Connector between console wiring and rear left door wiring
- G34 Connector for power window supply cable
- G35 Connector between rear wiring and rear right tail light wiring
- G36 Connector for power window switch cables
- G37 Connector for combination switch on steering column
- G38 Connector for air conditioner wiring
- G39 Connector for clock
- G40 Connector for door lock control unit
- G41 Connector for tachymetric switch - rev counter pulse generator
- G42 Connector between alternator and min engine oil pressure switch
- G43 Connector for heater/ventilation control cables
- G44 Connector for rear fog lamp
- G45 Connector for headlight wash/wipe cables
- G46 Connector for headlights
- G47 Connector for right side - repeater cables
- G48 Connector between electric door mirror and left side - repeater cables
- G49 Connector available
- G50 Provision for loud speaker cables
- G51 Provision for car radio cables
- G52 Fusebox ground
- G53 Engine compartment ground
- G53a Engine compartment ground - right side
- G53b Engine compartment ground - left side
- G54 Passenger compartment ground
- G54a Passenger compartment ground - right side
- G54b Passenger compartment ground - left side
- G55 Valance panel ground
- G56 Branch terminal board
- G57 Provision for fuel cut-off solenoid valve
- G58 Connector for cigar lighter
- G59 Connector for electric door mirror
- G60 Injection wiring ground
- G61 Connector for ignition coil
- G62 Clutch switch connector

## ELECTRICAL SYSTEM

### G: FUSEBOX - CONNECTORS - GROUNDS (continued)

- G63 Rear ground
- G63a Rear right ground
- G63b Rear left ground
- G64 Connector for Trip Computer - clock
- G65 Coaxial cable
- G66 Motronic wiring ground
- G67 Motronic connector
- G68 Connector A with board wiring
- G69 Connector B with board wiring
- G70 Connector C with board wiring
- G71 Connector for warning lamp on instruments
- G72 Connector for seat back adjustment wiring
- G73 Connector for rear services
- G73a Connector for right rear services
- G73b Connector for left rear services
- G74 Connectors between Telelevel rear wiring and ALFA ROMEO Control
- G75 Connector between right and left roof panel services
- G76 Connector for roof panel services - right side
- G77 Connector for roof panel services - left side
- G78 Connector for front door services wiring
- G79 Connector for rear door services wiring
- G80 Connector for board wiring
- G81 Connector for front left seat back adjustment
- G82 Connector for front right seat back adjustment
- G83 Rear connector for fast idle device
- G84 Console cable connector
- G84a Console cable connector (15 way)
- G84b Console cable connector (12-way)
- G85 Front services connector
- G86 Connector for passenger compartment roof lamp
- G87 Connector for rear door - locking motors
- G88 Connector for rear tail lights
- G89 Intermediate connector A
- G90 Intermediate connector B
- G91 Rear door sensors ground
- G92 Luggage compartment ground
- G93 Windshield frame upper cross member ground
- G94 Engine compartment connector
- G94a 10-way connector for engine compartment
- G94b 8-way connector for engine compartment
- G94c Engine compartment connector - right side
- G94d Engine compartment connector - left side
- G95 Central fusebox
- G95A Connector for switches
- G95B Connector for switches
- G95C Connector for cluster warning lamps
- G95D Connector for ALFA ROMEO Control
- G95E Connector for console
- G95F Connector for fog light - rear fog light
- G95G Connector for combination switch
- G95H Connector for LH interface
- G95I Connector for RH interface
- G95L Connector for clock - rheostats
- G95M Connector for sun - roof
- G95N Connector for battery
- G95O Connector for ignition switch
- G95P Connector for door services
- G95Q Connector for performance gauge
- G95R Connector for heated rear window
- G95S Connector for cluster
- G95V Fuses
- G96 Single connector for ALFA ROMEO Control - cluster
- G97 Connector for left doors services
- G98 Connector for right doors services
- G99a Connector for engine dashboard (A)
- G99b Connector for engine dashboard (B)
- G99c Connector for engine dashboard (C)
- G99d Connector for engine dashboard (D)
- G99e Connector for engine dashboard (E)
- G100 Connector for console - doors wiring
- G101 Trip Computer connector
- G102 Optoelectronic cluster connector
- G103 Connector for grounds and brakes fluid tank
- G104 Connector for roof panel left pillar
- G105 Connector for ashtray lamp
- G106 Seat grounds
- G107 Connector for fuel pump
- G108 CEM wiring ground
- G109 Injection wiring ground
- G110 Thermostat housing ground
- G111 Connector for dashboard instruments wiring
- G112a Connector A for roof wiring
- G112b Connector B for roof wiring
- G112c Connector C for roof wiring
- G112d Connector D for roof wiring
- G112e Connector E for roof wiring
- G113 Connector for front left-hand fender
- G114 Connector for outside temperature sensor
- G115 Connector for tow bar vehicle socket
- G116 Connector for tow bar trailer plug
- G117 Connector for engine compartment lamp
- G118 Connector for luggage compartment lamp
- G119 Connector for vanity mirror roof lamp
- G120 Connector for map reading lamp
- G121 Connector for vehicle wiring
- G122 Connector for ignition wiring
- G123 Pedal assembly ground
- G124 Connector for A.B.S. system
- G125 A.B.S. system free fuse holder
- G126 Fuse protecting A.B.S. system relays
- G127 Free fuse holder for identification lights
- G128 Free fuse holder for transceiver
- G129 Connector for two-note horns - normal horns in engine compartment left side
- G130 Switches connector
- G131 Ground on upper cover
- G132 Ground on manifold
- G133a Electronic injection - ignition wiring connector A
- G133b Electronic injection - ignition wiring connector B
- G134 Left front pillar connector
- G135 Rear window shelf wiring connector
- G136 Front side marker intermediate connector
- G137 Injection supply wiring connector
- G138 Headlights - combination switch connector
- G139 Intercom system control unit connector
- G140 Petrol pump attachment to floor services intermediate connector
- G141 Intermediate connector for rear sidemarker
- G142 Engine services connector
- G143 Central bulkhead ground
- G144 Backdoor wiring connector

### H: SWITCHES

- H1 Handbrake switch
- H2 Reversing light switch
- H3 Stop light switch
- H4 Passenger compartment roof lamp switch on pillar
- H5 Left front door open indicator switch
- H6 Right front door open indicator switch
- H7 Left rear door open indicator switch
- H8 Right rear door open indicator switch
- H9 Right front brake pad switch
- H10 Left front brake pad switch
- H11 Right rear brake pad switch
- H12 Left rear brake pad switch
- H13 Choke switch
- H14 Injection advance switch
- H15 Gearbox oil low level switch (magnetic bulb)
- H16 Starting and back-up inhibitor switch

**H: SWITCHES (continued)**

H17 Brake fluid minimum level check switch  
 H18 Fast-idle switch in gearbox  
 H19 Low fuel pressure switch  
 H20 Inertia switch  
 H21 Clutch pedal fast idle switch  
 H22 Ignition microswitch  
 H23 Engine compartment lamp switch  
 H24 Luggage compartment lamp switch  
 H25 Glovebox light switch  
 H26 Contact switch on rear door for rear window wiper  
 H27 Contact switch on rear door for heated rear window  
 H28 Carburettor contact/switch  
 H29 Switch for rear drive engagement warning lamp  
 H30 R.p.m. - activated microswitch  
 H31 Switch for idle r.p.m. adjusting screw on carburettor  
 H32 Microswitch on carburettor for inserting timing variator  
 H33 Numberplate lights contact switch  
 H34 A.B.S. system brake fluid tank switch  
 H35 Fuel pre-heating filter thermal switch  
 H36 Diesel fuel post-heating microswitch

**I: RELAYS**

I1 Engine cooling fan relay  
 I2 Heated rear window relay  
 I3 Horn relay  
 I4 Headlamp wiper relay  
 I5 Auxiliary relay for headlight wiper timer  
 I6 Fast idle relay  
 I7 Fuel pipe closing relay  
 I8 Relay excluding retarded rotor arm  
 I9 Glow plug relay  
 I10 Starter inhibitor relay  
 I11 Front power window and seat raising relay  
 I12 Front power window relay  
 I13 Rear power window relay  
 I14 Brake fluid automatic warning lamp control relay  
 I15 Low fuel pressure warning light relay  
 I16 Headlight relay  
 I17 Fog light relay  
 I18 Double contact relay  
 I19 Headlight washer pump relay  
 I20 Beam changeover relay  
 I21 Full beam exclusion relay  
 I22 Low beam exclusion relay  
 I23 Supplementary engine cooling fan relay  
 I24 Direction and hazard lights relay  
 I25 Rear fog light relay  
 I26 Roof lamp relay  
 I27 Seat height adjustment relay  
 I28 Hazard lights relay  
 I29 Fuel pump relay  
 I30 Relay with CEM diode  
 I31 Front power windows/heater relay  
 I32 Advance variation control unit relay  
 I33 Carburettor microswitch relay  
 I34 Rear fog light exclusion relay  
 I35 Key operated supply relay  
 I36 Relay for brake wear and liquid level  
 I37 Relay for A.B.S. system control unit  
 I38 Auxiliary A.B.S. system relay  
 I39 Brake fluid level warning lamp relay  
 I40 A.B.S. system brake fluid pump relay  
 I41 Two note horns - normal horns relay  
 I42 Two note horns relay  
 I43 Inspection lamp relay  
 I44 Fuel pre heating device relay  
 I45 External rearview mirrors defrosting relay

I46 Siren relay  
 I47 Oil radiator electric fan relay  
 I48 Ignition switch- operated relay for ALFA ROMEO Control and instruments  
 I49 Low beam relay  
 I50 Full beam relay

**L: SENDERS**

L1 Low fuel pressure sender  
 L2 Low oil pressure sender  
 L3 Max air pressure sender  
 L4 Thermal switch for engine cooling electromagnetic coupling  
 L5 Thermal switch for engine coolant max temperature warning lamp  
 L6 Thermal switch for engine cooling electric fan  
 L7 Engine coolant temperature gauge sender  
 L8 Oil pressure gauge sender  
 L9 Fuel level gauge sender  
 L10 Sender for engine coolant temperature gauge and max temperature warning lamp contact  
 L11 Retarded rotor arm cut-out pressure switch  
 L12 Engine oil level sensor  
 L13 Windscreen washing liquid level sensor  
 L14 Engine coolant level sensor  
 L15 Fuel flow sensor  
 L16 Rev counter pulse generator  
 L17 Speedometer pulse generator  
 L18 Load sender  
 L19 External temperature sensor  
 L20 Photoelectric cell  
 L21 Pierburg valve (Solenoid valve regulating the supercharging pressure)  
 L22 Knocking sensor  
 L23 Potentiometer  
 L24 Coolant temperature sensor for ignition advance adjustment  
 L25 Thermal switch for engine coolant temperature  
 L26 Vacuum sensor  
 L27 Temperature sensor  
 L28 Front right brake sensor  
 L29 Front left brake sensor  
 L30 Rear right brake sensor  
 L31 Rear left brake sensor  
 L32 Supercharging air pressure sender  
 L33 Two-level thermal switch

**M: SOLENOIDS - SOLENOID VALVES**

M1 Fuel cut-off solenoid valve  
 M2 Injection pump solenoid valve  
 M3 Solenoid with injection pump fuel cut-off microswitch  
 M4 Fast idle solenoid  
 M5 Engine stop solenoid  
 M6 Fuel pipe closing solenoid  
 M7 Door opening/closing solenoid  
 M8 Auxiliary air device (for A/C equipped car)  
 M9 Pierburg solenoid valve (for idle r.p.m.)  
 M10 Brake fluid adjustment valves  
 M11 Main A.B.S. valve

**N ELECTRONIC DEVICES - INTERMITTENCES - TIMERS**

N1 Electronic ignition module  
 N1a Electronic ignition module A  
 N1b Electronic ignition module B  
 N2 Connector for Marelli module  
 N3 Capacitor for electronic ignition  
 N4 Connector for Bosch module  
 N5 Tachymetric switch device  
 N6 Pre heating glow plug timer  
 N7 Trip Computer  
 N8 ALFA ROMEO Control

**N ELECTRONIC DEVICES - INTERMITTENCES - TIMERS**  
 (continued)

N9	Brake pad wear control unit
N10	Roof lamp timer
N11	Door lock control unit
N12	Headlamp wiper timer
N13	Road hazard and direction indicators intermittence
N14	Electronic windscreen wiper intermittence
N15	Electronic windscreen wiper intermittence and warning light control
N16	Tachymetric control unit
N17	Trip control unit for fuel flow
N18	Electronic device for headlamps and flashing switching
N19	Performance gauge control unit
N20	Advance variation control unit
N21	Power module
N22	ALFA ROMEO Control control unit
N23	Ignition control unit
N24	Pulse converter
N25	Rear fog light device
N26	Brake pad wear warning lamp intermittence device
N27	A B S system control unit
N28	Brake fluid pump device
N29	Free diode holder connection
N29a	Free diode holder connection A
N29b	Free diode holder connection B
N30	Two-note horns control unit
N31	Fuel pre-heating device
N32	Headphones connection control unit
N33	Secured heated rear window defrost control unit
N34	Pulse generator control unit
N35	Coding control unit
N36	intercom system control unit

**O ANCILLARY EQUIPMENT**

O1	Heated rear window
O2	Horn
O3	Electrically-operated antenna
O4	Radio
O5	Speaker
O6	Cigar lighter
O7	Rear cigar lighter
O8	Two-note horns
O9	Transceiver
O10	Rear headphones
O11	Siren
O12	External loudspeaker - microphone
O13	Internal loudspeaker - microphone
O14	Driver's seat heating pads

**P ELECTRIC MOTORS**

P1	Windshield wiper motor
P2	Engine cooling fan motor
P3	Engine cooling fan electromagnetic drive
P4	Headlamp wiper motor
P5	Front left seat adjustment motor
P6	Front right backrest adjustment motor
P7	Front left backrest adjustment motor
P8	Motor for electric door mirror - right side
P9	Motor for electric door mirror - left side
P10	Front right door locking motor
P11	Front left door locking motor
P12	Rear right door locking motor
P13	Rear left door locking motor
P14	Front right power window motor
P15	Front left power window motor

P16	Rear right power window motor
P17	Rear left power window motor
P18a	Electric fuel pump
P18b	Auxiliary electric fuel pump
P19	Windscreen washer pump
P20	Headlamp washer pump
P21	Rear window wiper motor
P22	Rear window washer pump
P23	Supplementary engine cooling fan motor
P24	Sun roof motor
P25	Oil radiator electric fan

**Q HEAT/VENT - AIR CONDITIONING SYSTEM**

Q1	Heater/ventilation electric fan
Q2	Pneumatic pushbutton control for air conditioning
Q3	Pneumatic pushbutton control for ventilation
Q4	Heater/ventilation electric fan control
Q5	Heater/ventilation blower fan speed adjustment resistance
Q6	Switch on flap for enabling heater blower fan
Q7	Fluid thermostat
Q8	Electromagnetic coupling pressure switch
Q9	Minimum pressure switch
Q10	Maximum pressure switch
Q11	Compressor electromagnetic coupling
Q12	Thermal switch for exclusion of compressor electromagnetic coupling
Q13	Supplementary conditioner fan
Q14	Relay for supplementary conditioner fan and electromagnetic compressor coupling
Q15	Heater/ventilation electric fan relay
Q16	Relay for simultaneous control of engine cooling fan and supplementary fan
Q17	Relay for simultaneous control of engine cooling electromagnetic coupling and supplementary fan
Q18	Heater
Q19	Air conditioner
Q20	Min and max pressure switch (Trinary)

**R SAFETY DEVICES**

R1	Seat belt device
R2	Catalytic converter temperature indicator
R3	Thermocouple for catalytic converter temperature detection
R4	Unfastened seat belt buzzer
R5	Open door buzzer
R6	Mileometer
R7	Seat belt warning lamp
R8	30,000 mile warning lamp
R9	Switch on seat belts
R10	Catalytic converter maximum temperature warning lamp
R11	Front left door switch for seat belt device

**S ELECTRONIC FUEL INJECTION**

S1	Injection control unit
S2	Relay set
S3	Injectors
S4	Cold start-up electroinjector
S5	Air flow sensor
S6	Accelerator throttle switch
S7	Engine coolant temperature sensor
S8	Thermo-time switch
S9	Auxiliary air device
S10	Lambda sensor
S11	Motronic Control unit

S: ELECTRONIC FUEL INJECTION (continued)

S12 Motronic relay  
S12a Fuel pump Motronic relay  
S12b Motronic relay with diode  
S12c Timing variator device Motronic relay  
S12d Auxiliary Motronic relay  
S13 Timing sensor  
S14 Rev sensor  
S15 Timing variator device  
S16 Altitude compensation device  
S17 CEM control unit  
S17a CEM Control unit white connector

S17b CEM control unit black connector  
S18 Throttle angle sensor  
S19 Hall sensor  
S20 Deton sensor  
S21 Throttle actuator  
S22 Injector terminal  
S23 Injector resistor  
S24 Injector terminal board  
S25 Autodiagnosis connector  
S26 Injection system  
S27 Lambda sensor resistance  
S28 Injection control relay  
S29 Minimum adjustment actuator

# GROUP 80

## CONTENTS

Heating system (\*)

Air conditioning system

DESCRIPTION .....	80-3	Wiring diagram .....	80-3
General description .....	(*)	MAINTENANCE .....	(*)
Controls assembly symbols .....	(*)	TROUBLE DIAGNOSIS AND	
Functional diagrams .....	(*)	CORRECTIONS .....	(*)
Installation diagrams .....	(*)		
System components .....	(*)		

(\*) As per **Alfa 75**

