

55.

page

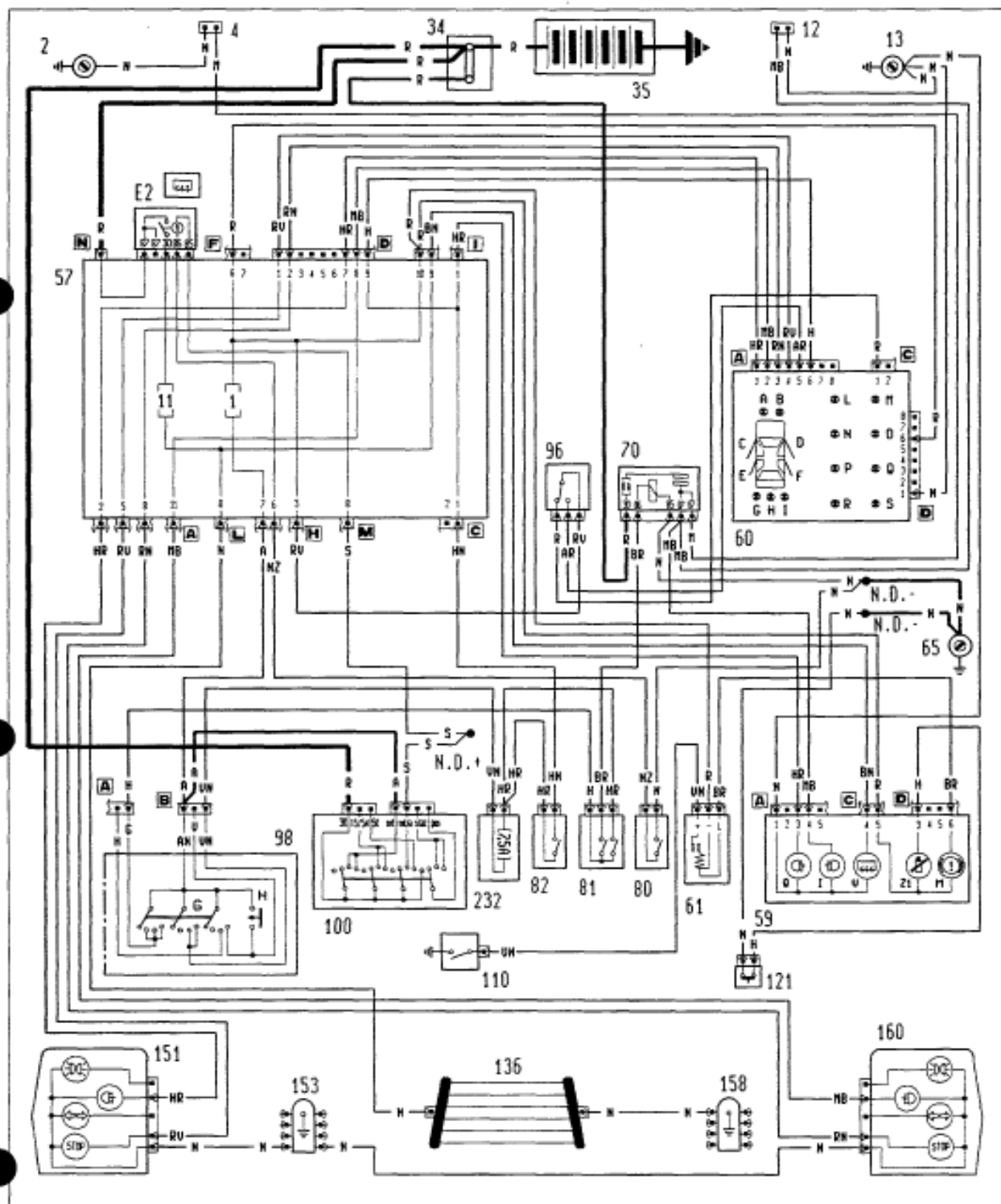
- Wiring diagrams 1
- Key 15

DESCRIPTION	2000 i.e. HF integrale 16v
Starting - I.A.W. electronic injection/ignition - Recharging and warning light - Insufficient engine oil pressure warning light - Injection system failure warning light	10
Parking lights and warning lamp - Dipped headlamps and warning light - Main beam headlamps and warning light - Headlamp flasher - Number plate lights - Direction indicators and warning light - Hazard warning lights and warning light - Reversing lights - Luggage compartment light -	11
Rear fog lamps and warning light - Braking lights - Heated rear windscreen and warning light - Preparation for fog lamps and warning light - Handbrake warning light - Seat belt warning light	1
Electric horns - Car interior ventilation - Front brake pad wear warning light - Insufficient brake fluid level warning light - Insufficient engine oil pressure warning light - Insufficient engine oil warning light - Insufficient coolant level warning light	2
Engine cooling - Fuel level gauge and reserve warning light - Rev counter - Voltmeter - Water temperature gauge and overheating warning light	3
Windscreen wiper - Rearscreen wiper - Electric windscreen washer pump - Electric pump for rearscreen washer	4
Car interior lighting - Oddments pocket light - Cigar lighter - Digital clock - Preparation for radio - Switch light - Instrument panel light and dimmer - Combined instrument - Engine oil pressure gauge - Engine oil temperature gauge	5
Electric front windows - Central locking	6
Electric sun roof	7
Version without control system: Parking lights and warning lamp - Braking lights - Handbrake applied and insufficient brake fluid level warning light - Battery recharging warning light - Front brake pad wear warning light - Insufficient engine oil pressure warning light - Coolant overheating warning light - Rev counter	8
Air conditioning	9
Anti-lock brakes and failure warning light (A.B.S.)	12
Control-System	13

NOTE The numbers in the table correspond to the page number of the electrical equipment in the manual

Version: 2000 i.e. HF 16v integrale

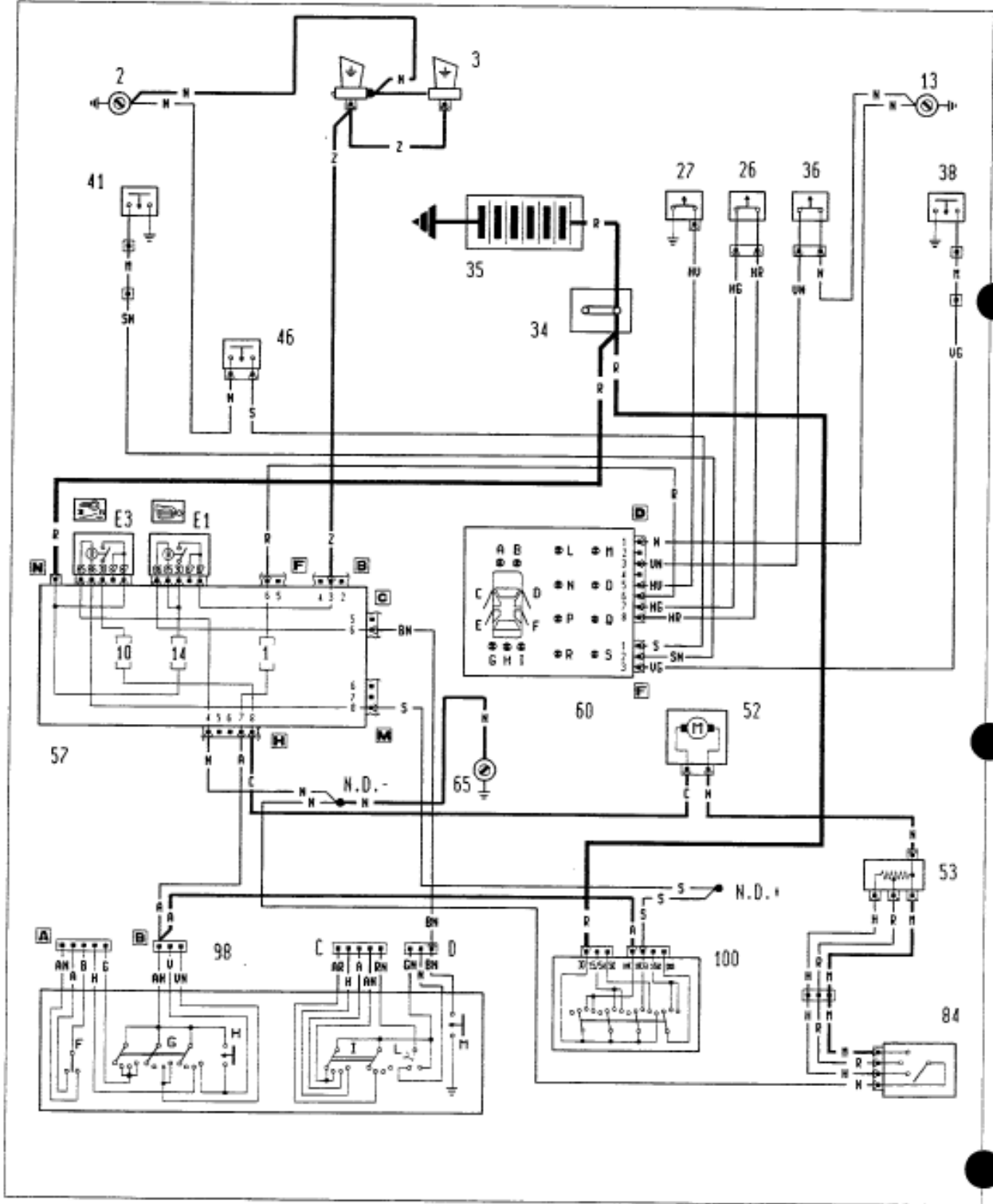
Rear fog lamps and warning light - Braking lights - Heated rear windscreen and warning light - Preparation for fog lamps and warning light - Handbrake warning light - Seat belt unfastened warning light - (See key at end of wiring diagrams).



55.

Version: 2000 i.e. HF integrale 16v

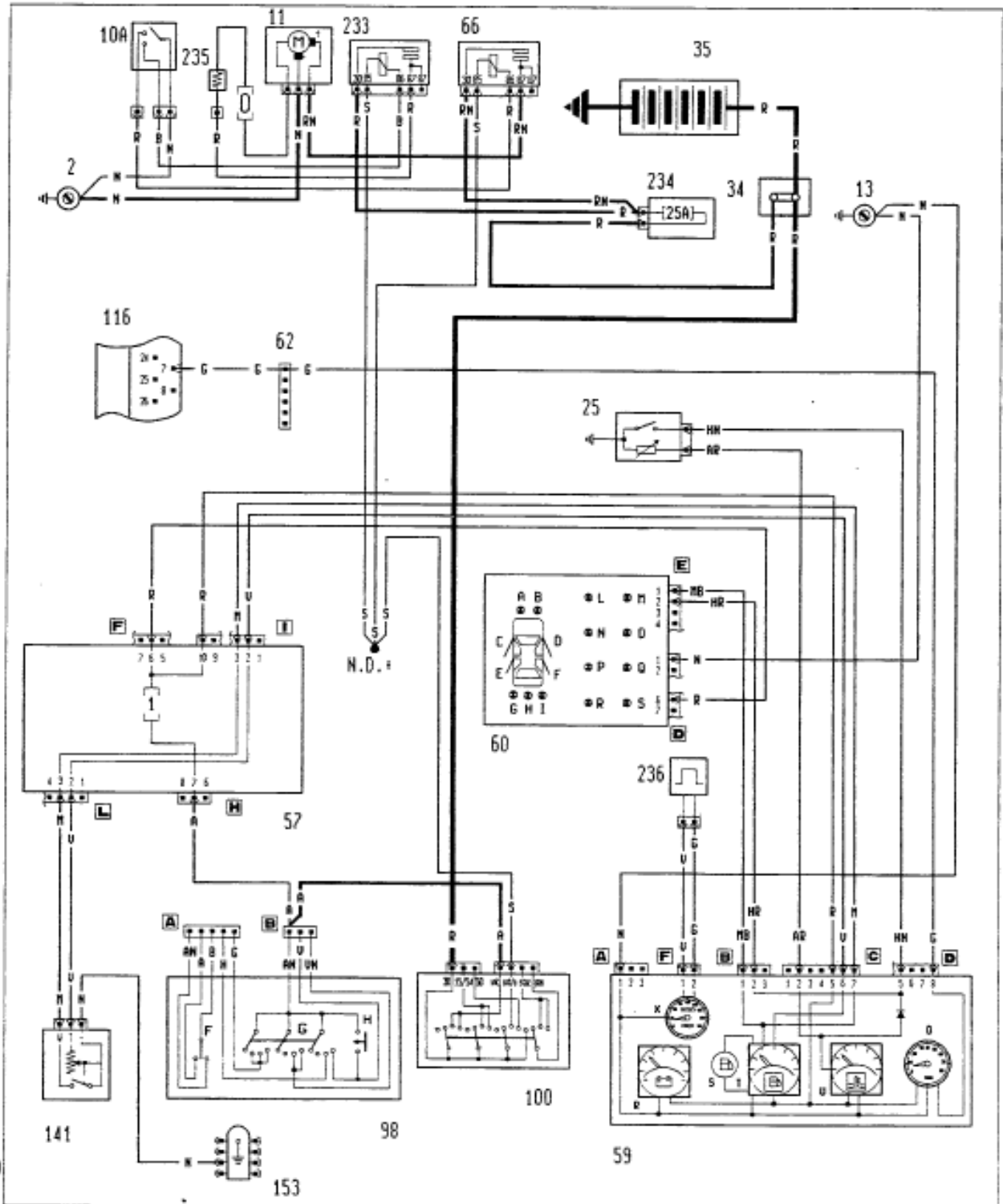
Electric horns - Car interior ventilation - Front brake pad wear warning light - Insufficient brake fluid level warning light - Insufficient engine oil pressure warning light - Insufficient engine oil warning light - Insufficient coolant level warning light (See key at end of wiring diagrams)



P3002ZL01

Version: 2000 i.e. HF integrale 16v

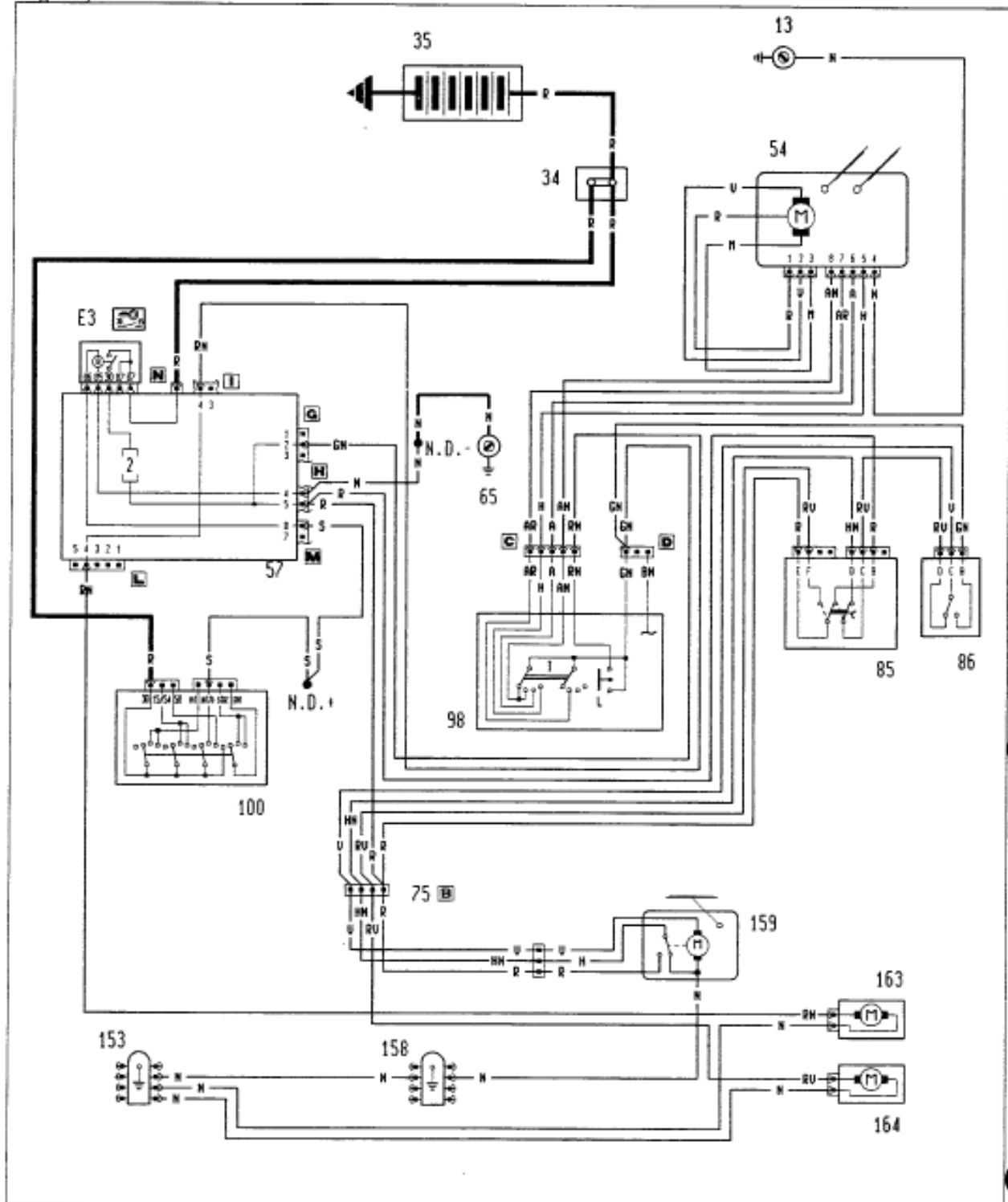
Engine cooling - Fuel level gauge and reserve warning light - Rev counter - Speedometer - Voltmeter - Water temperature gauge and over-heating warning light - (See key at end of wiring diagrams).



55.

Version: 2000 i.e. HF integrale 16v

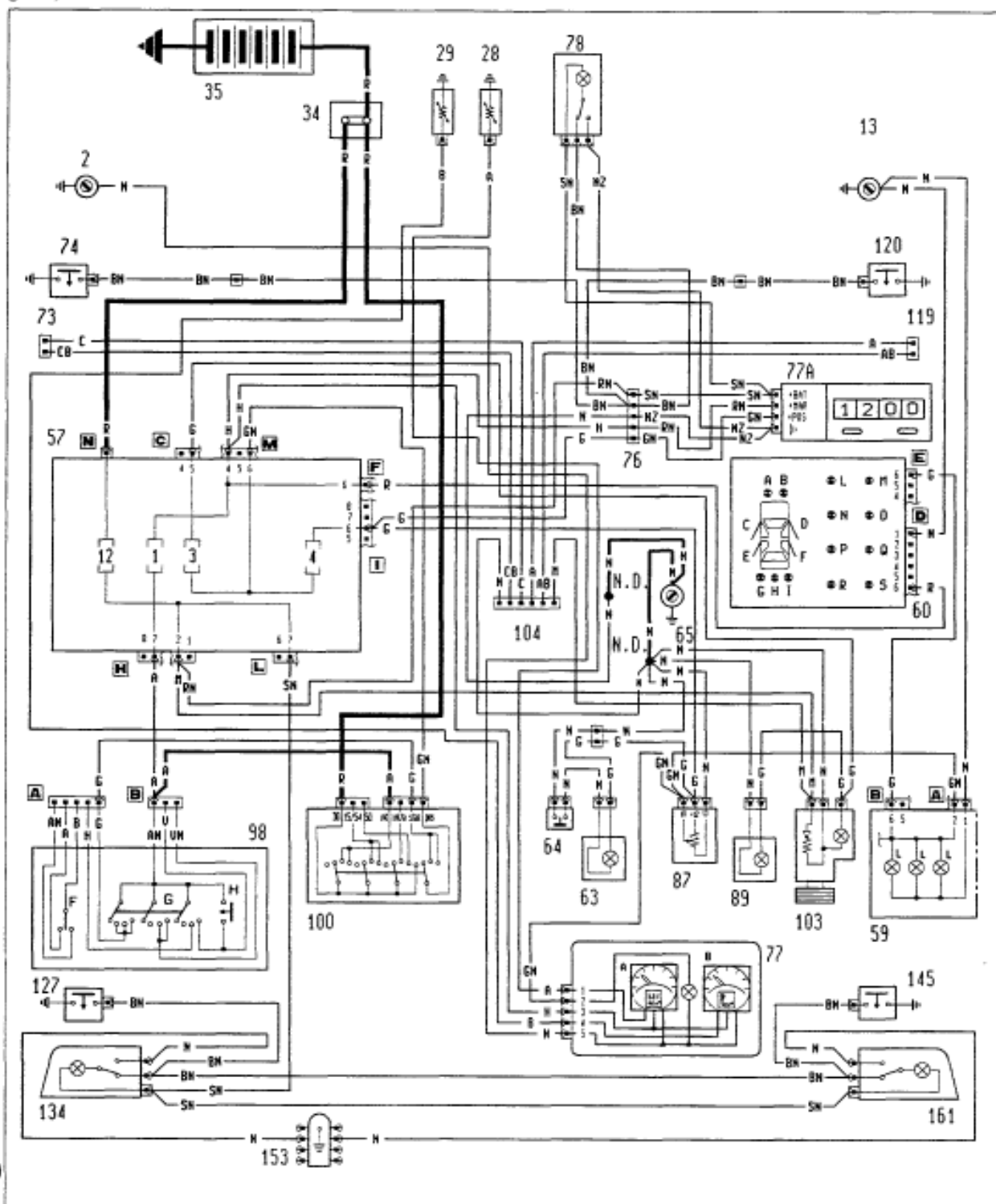
Windscreen wiper - Rearscreen wiper - Electric windscreen washer pump - Electric pump for rearscreen washer - (See key at end of wiring diagrams)



P30042L01

Version: 2000 i.e. HF integrale 16v

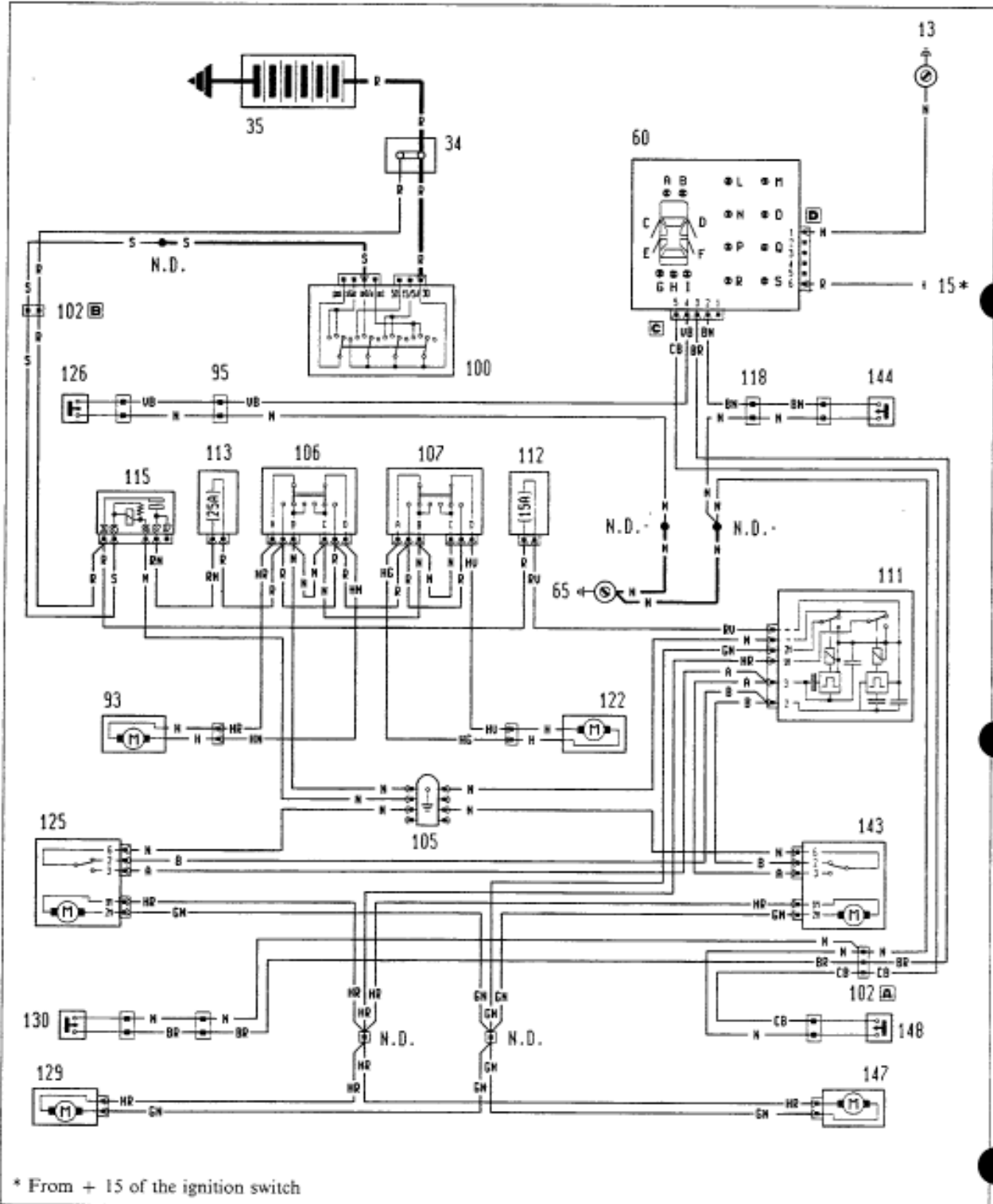
Car interior lighting - Glove compartment light - Cigar lighter - Digital clock - Preparation for radio - Switch light - Instrument panel light and dimmer - Combined instrument - Engine oil pressure gauge - Engine oil temperature gauge - (See key at end of wiring diagrams).



55.

Version: 2000 i.e. HF integrale 16v

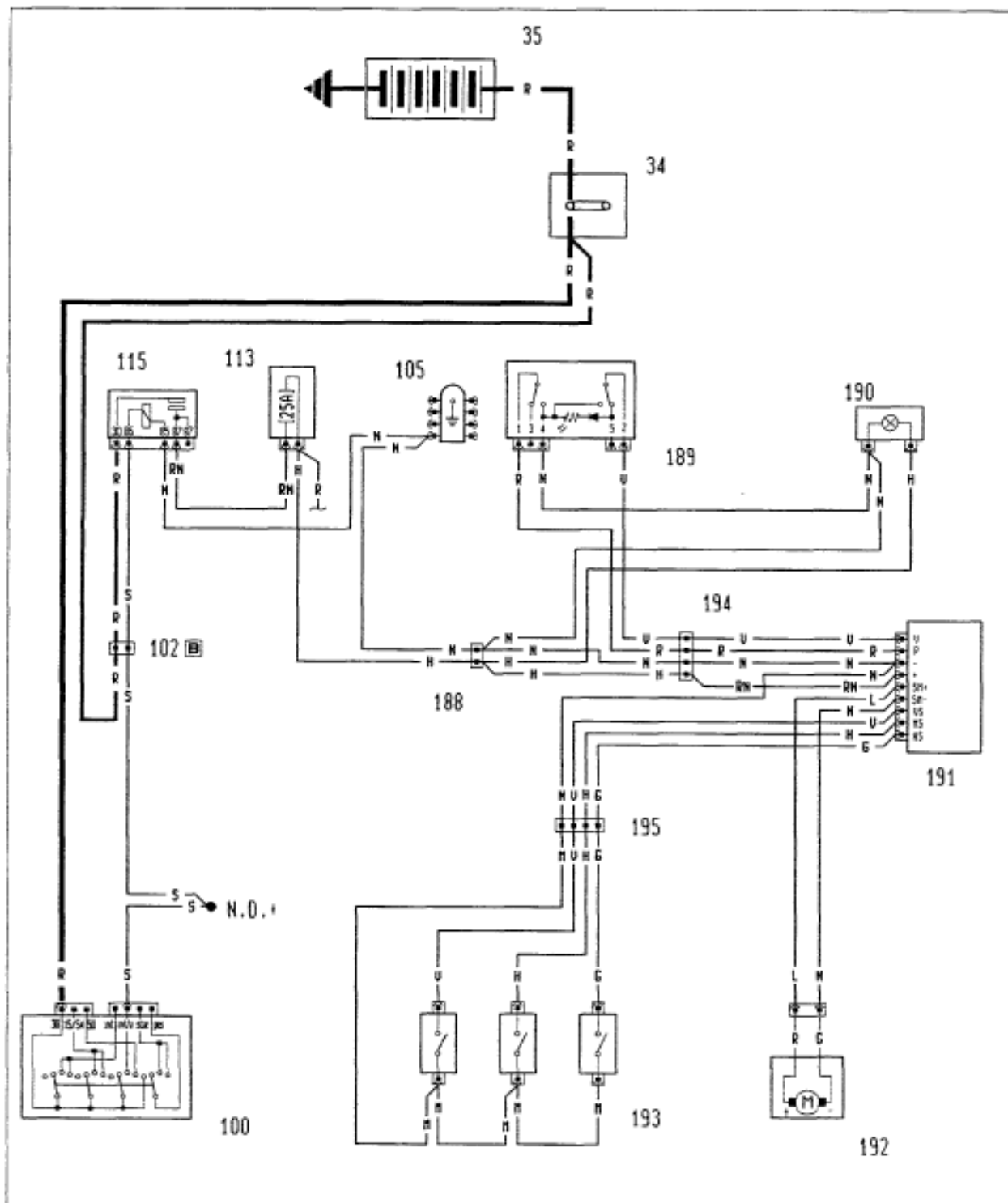
Electric front windows - Central locking - (See key at end of wiring diagrams)



P30062L01

Version: 2000 i.e. HF integrale 16v

Electric sun roof - (See key at end of wiring diagrams).

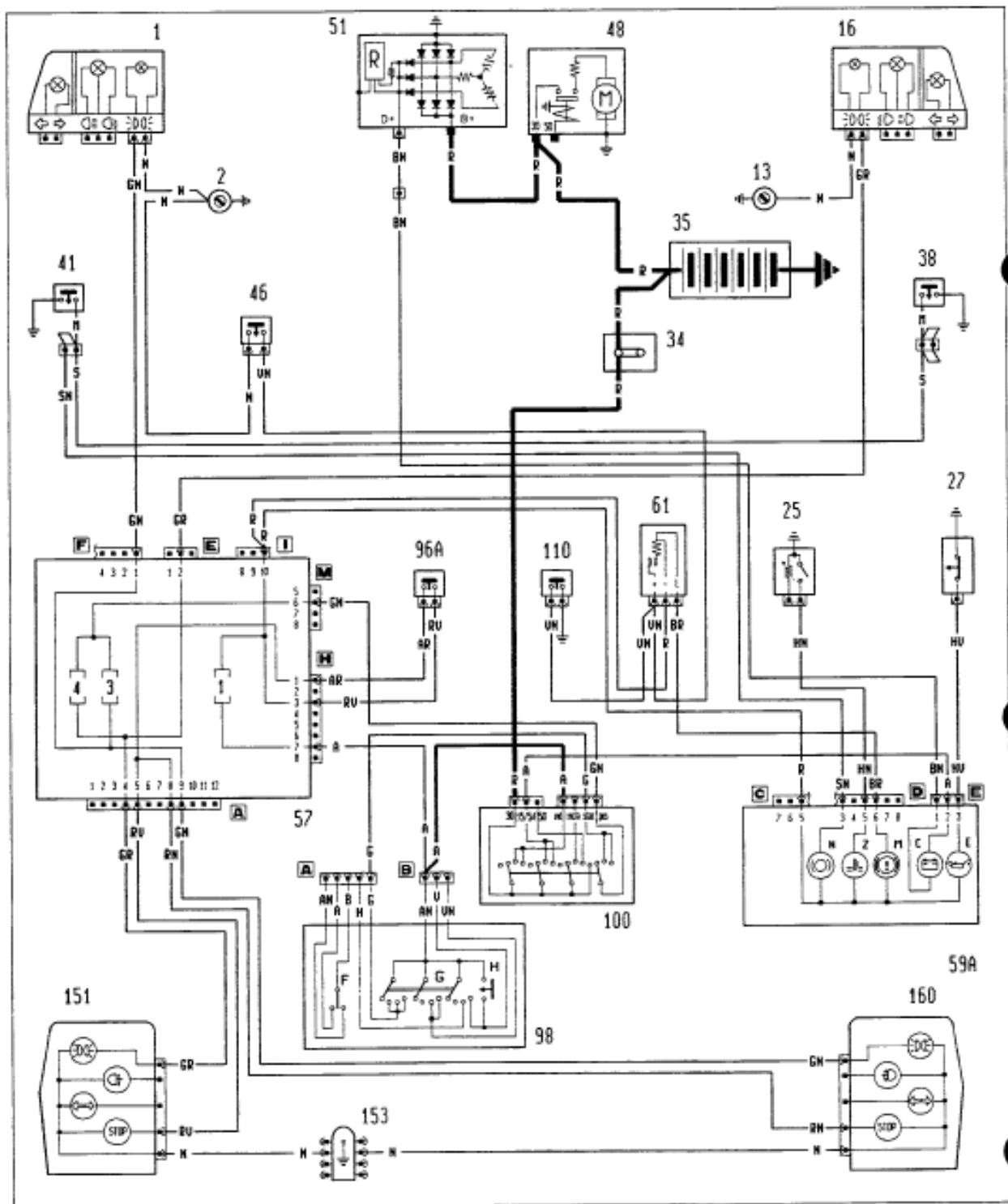


P3D07ZL51

55.

Variant without Control-system: 2000 i.e. HF integrale 16v

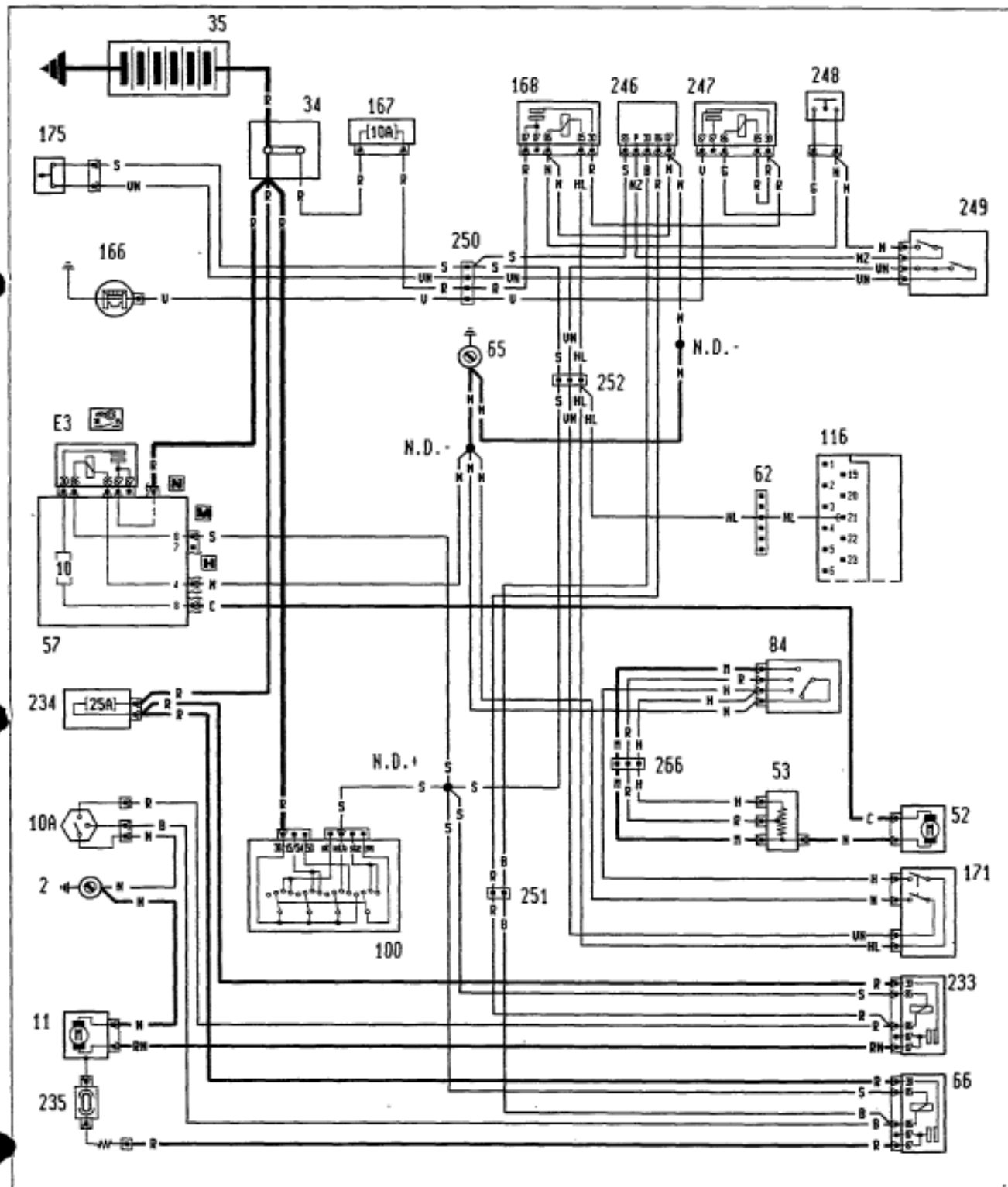
Parking lights and warning lamp - Braking lights - Handbrake applied and insufficient brake fluid level warning light - Battery recharging warning light - Front brake pad wear warning light - Insufficient engine oil pressure warning light - Coolant overheating warning light - (See key at end of wiring diagrams)



P200R2L01

Version: 2000 i.e. HF integrale 16v

Air conditioner (See key at end of wiring diagrams)

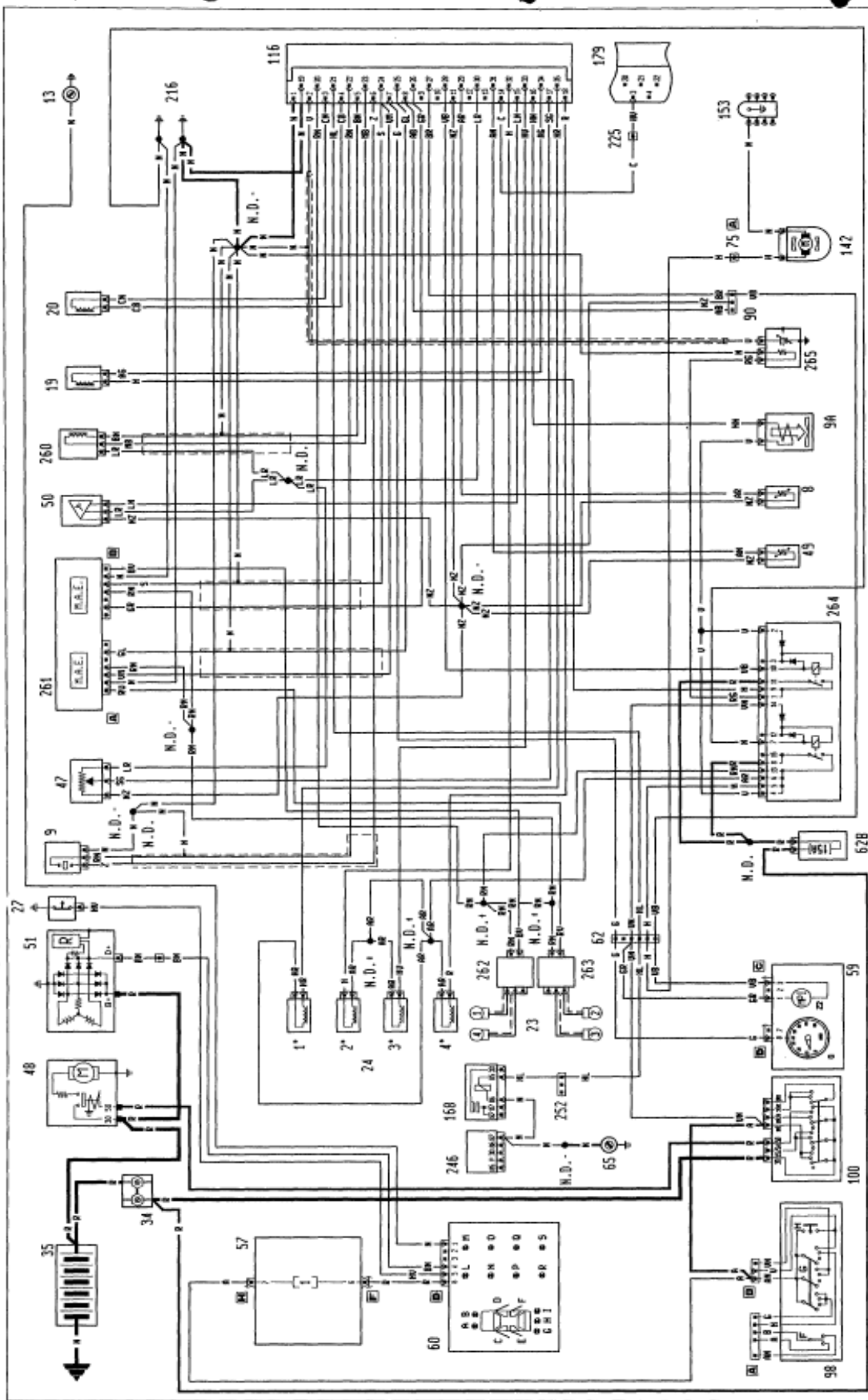


P2008ZL01

55.

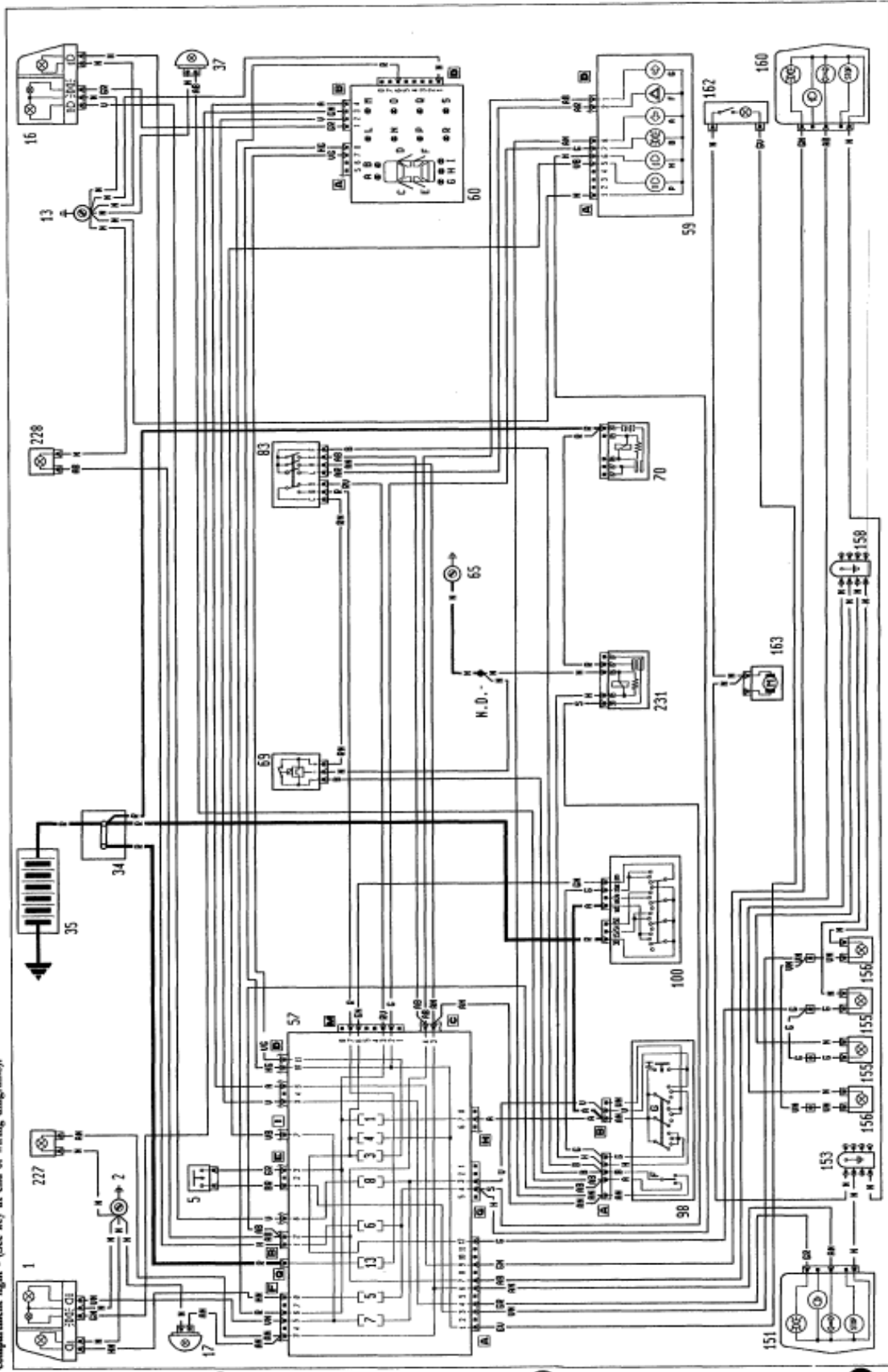
Version: 2000 i.e. HF integrale 16v

Starting - I.A.W. electronic injection/ignition - Recharging and warning light - Insufficient engine oil pressure warning light - Injection system failure warning light - (See key at end of wiring diagrams)



Version: 2000 L.e. HF integrale 16v

Parking lights and warning lamp - Dipped headlamps and warning light - Main beam headlamps and warning light - Headlamp flasher
- Number plate lights - Direction indicators and warning light - Hazard warning lights and warning light - Reversing lights - Luggage
compartment light - (See key at end of wiring diagrams).



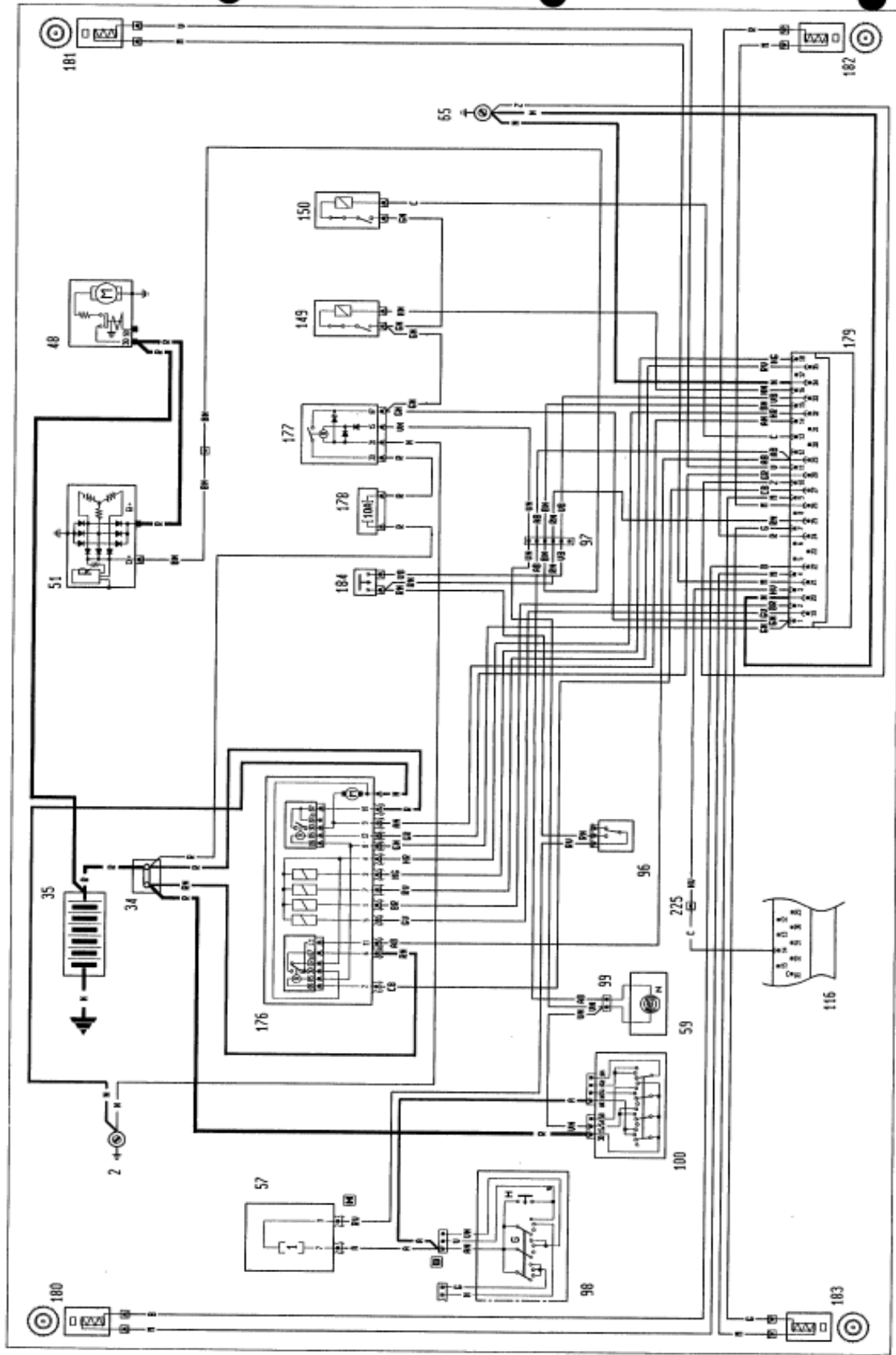
Electrical equipment

Wiring diagrams

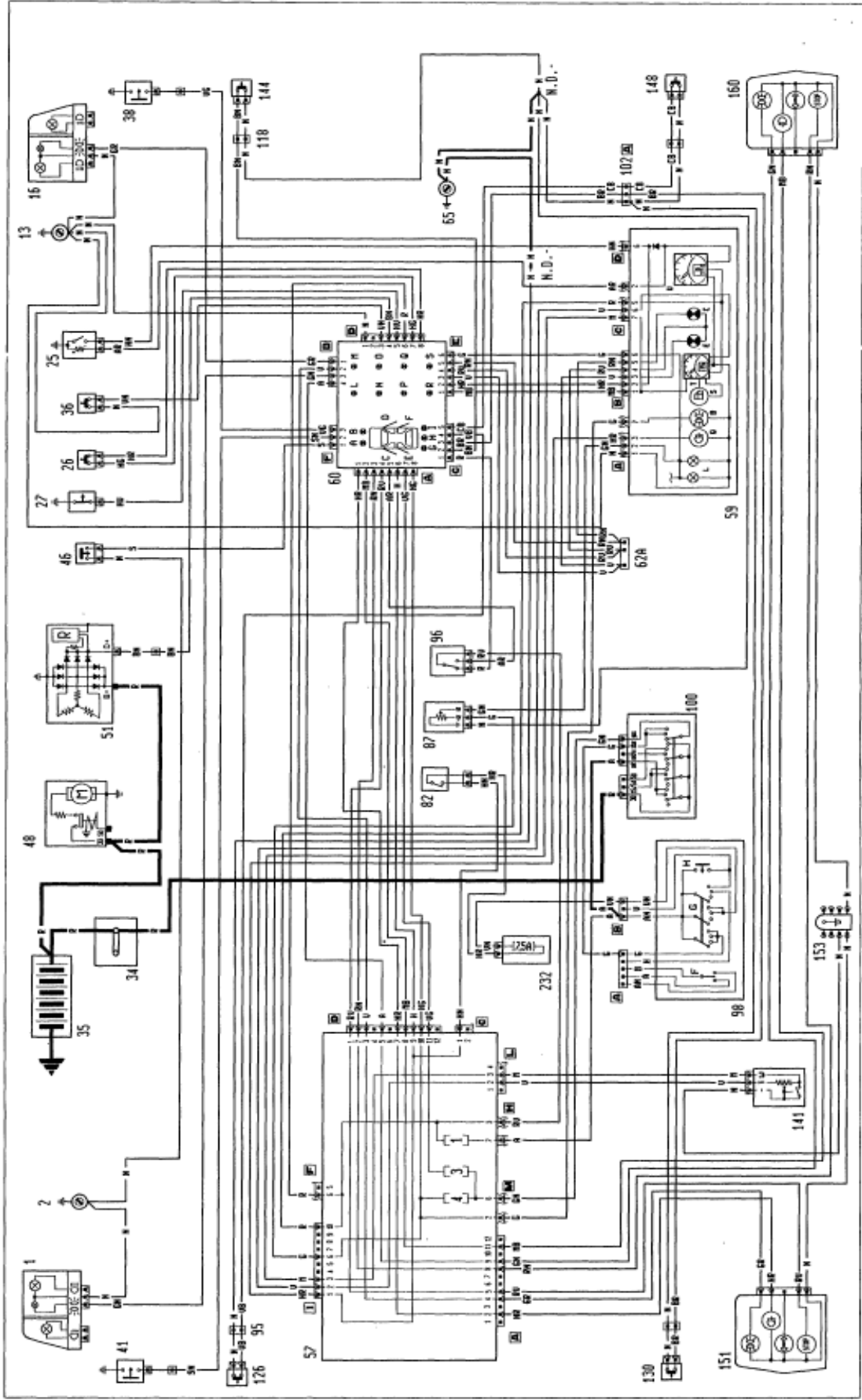
DELTA HF integrale 16v
93 range

55.

Version: 2000 i.e. HF integrale 16v
Anti-lock brakes and failure warning light (A.B.S.) - (See key at end of wiring diagrams).



Version: 2000 I.e. HF integrale 16v
Control-System - (See key at end of wiring diagrams).



Key for components

- 1 Left front light cluster
- 2 Left front earth cable loom
- 3 Electric horns
- 4 Left fog lamp
- 5 Reversing lights switch
- 8 Engine coolant temperature sensor (I.A.W.)
- 9 Detonation sensor
- 9A Over-Boost solenoid valve
- 10A Thermostatic switch for two stage engine cooling fan
- 11 Radiator cooling fan
- 12 Preparation for right fog lamp
- 13 Right front earth cable loom
- 16 Right front light cluster
- 17 Left side direction indicator
- 19 Automatic idle adjustment solenoid air valve (I.A.W.)
- 23 Spark plugs
- 24 Fuel injectors
- 25 Engine coolant temperature sender unit and switch signalling engine coolant overheating
- 26 Engine oil level sensor
- 27 Insufficient engine oil pressure switch
- 28 Engine oil pressure sender unit
- 29 Engine oil temperature sender unit
- 34 Connector block
- 35 Battery
- 36 Coolant level sensor
- 37 Right side direction indicator
- 38 Right front brake pad wear sensor
- 41 Left front brake pad wear sensor
- 46 Brake fluid level sensor
- 47 Butterfly valve position sensor (I.A.W.)
- 48 Starter motor
- 49 Air temperature sensor (I.A.W.)
- 50 Absolute pressure sensor
- 51 Alternator
- 52 Heater fan
- 53 Electric fan speed resistor
- 54 Wipers/wiper motor
- 57 Fuse and relay junction unit:
- E1 Electric horn relay
- E2 Heated rear windscreen relay
- E3 Ignition discharge relay
- 59 Instrument panel:
- A Left side direction indicators warning light
- B Side lights warning light

C (Red) general warning light for Control-System

- E Starting go-ahead signal (green)
- F Hazard warning lights warning light
- G Right side direction indicators warning light
- H Dipped headlights warning light
- I Fog lights warning light
- L Instrument panel light bulbs
- M Handbrake warning light
- N A.B.S. failure warning light
- O Rev counter
- P Main beam headlights warning light
- Q Rear fog lamps warning light
- R Voltmeter
- S Fuel reserve warning light
- T Fuel level gauge
- U Coolant temperature gauge
- V Heated rear windscreen warning light
- X Electronic tachometer
- Z1 Seat belts not fastened warning light
- Z2 Injection system failure warning light

60 Control-System :

- A Left front side light failure warning light
- B Right front side light failure warning light
- C Left front door ajar warning light
- D Right front door ajar warning light
- E Left rear door ajar warning light
- F Right rear door ajar warning light
- G Warning light signalling failure with side lights, left rear brake light
- H Rear fog lamps warning light
- I Warning light signalling failure with side lights, right rear brake light
- L Insufficient brake fluid level warning light

M Front brake pad wear warning light

- N Insufficient engine oil pressure warning light
- O Battery recharging warning light
- P Insufficient engine oil level warning light
- Q Insufficient coolant level warning light
- R Automatic transmission fluid overheating warning light
- S Engine coolant overheating warning light

61 Intermittent device for handbrake warning light

- 62 Connection for electronic injection cables
- 62A Control-System diagnostic socket
- 62B 15A protective fuse for injectors and electric fuel pump
- 63 Glove compartment light
- 64 Glove compartment light push button
- 65 Earth cable loom under dashboard
- 66 Engine cooling fan 1st speed relay
- 69 Intermittent device for direction indicators and hazard warning lights
- 70 Fog lights relay
- 73 Left front speaker wiring
- 74 Front courtesy light push button on left front pillar

75 Connector for left longitudinal cables

- 76 Connector for courtesy light cables
- 77 Combined instrument
- A Oil pressure gauge
- B Oil temperature gauge
- 77A Digital clock
- 78 Front courtesy light
- 80 Heated rear windscreen switch
- 81 Fog lights switch
- 82 Rear fog lamps switch
- 83 Hazard warning lights switch
- 84 Heater fan switch
- 85 Rearscreen wash/wipe switch
- 86 Rearscreen wiper switch
- 87 Instrument panel and Control system light dimmer
- 89 Switch light
- 90 Diagnostic socket for injection system
- 93 Left front electric window motor
- 95 Connecting for cables signalling left front door ajar
- 96 Brake lights switch
- 96A Brake lights switch

97 Connection for anti-lock braking system cables

- 98 Steering column switch unit
- A Connector
- B Connector
- C Connector
- D Connector
- E Connector
- F Direction indicators operation
- G Operation of side lights, dipped headlights, main beam headlights
- H Operation of headlamp flashers
- I Operation of windscreen wiper
- L Operation of windscreen washer
- M Operation of electric horns
- 99 Preparation for anti-lock braking system failure warning light

100 Ignition switch

- 102 Connection for cables for electric windows/-central locking/signalling doors ajar
- 103 Cigar lighter
- 104 Preparation for radio
- 105 Earth point on central tray
- 106 Left front electric window switch
- 107 Right front electric window switch
- 110 Push button for handbrake applied warning light
- 111 Central door locking control unit
- 112 Central locking control unit 15 A protective fuse
- 113 Electric front windows and electrically operated sun roof 25 A protective fuse
- 115 Electric front windows relay feed
- 116 Injection/ignition electronic control unit (I.A.W.)
- 118 Connection for cables signalling right front door ajar

119 Right front speaker wiring

- 120 Front courtesy light push button on right front pillar
- 121 Switch signalling seat belts not fastened
- 122 Right front electric window motor
- 125 Left front door locking motor
- 126 Push button signalling left front door ajar
- 127 Rear courtesy light push button on left centre pillar
- 129 Left rear door locking motor
- 130 Push button signalling left rear door ajar
- 134 Left rear courtesy light
- 136 Heated rear windscreen
- 141 Fuel level gauge and reserve warning light control
- 142 Electric fuel pump
- 143 Right front door locking motor

144 Push button signalling right front door ajar	231 Dipped beam headlamps remote control switch	Cable colour code	CN Orange-Black
145 Push button for rear courtesy light on right centre pillar	232 7.5 A protective fuse for rear fog lamps	A Light blue	GN Yellow-Black
147 Right rear door locking motor	233 Engine cooling fan 2nd speed relay	B White	GL Yellow-Blue
148 Push button signalling right rear door ajar	234 25 A protective fuse for engine cooling fan	C Orange	GR Yellow-Red
149 Longitudinal accelerometer for anti-lock brakes	235 Current resistance restrictor for engine cooling fan	G Yellow	GV Yellow-Green
150 Transverse accelerometer for anti-lock braking system	236 Impulse generator for speedometer signal	H Grey	HG Grey-Yellow
151 Left rear light cluster	246 Delay device for engine cooling fan	L Blue	HN Grey-Black
153 Rear earth cable loom	247 Relay for switching off air conditioning compressor	M Brown	HR Grey-Red
155 Number plate lights	248 Thermistor for switching off air conditioning compressor	N Black	HV Grey-Green
156 Reversing lights	249 Three stage pressure switch	R Red	LB Blue-White
158 Earth cable loom on tailgate	250 Connection for air conditioner front cables	S Pink	LG Blue-Yellow
159 Rearscreen wash/wipe	251 Connection for dashboard / air conditioner cables	V Green	LN Blue-Black
160 Right rear light cluster	252 Connection for dashboard / air conditioner cables	Z Violet	LR Blue-Red
161 Right rear courtesy light	256 40A protective fuse for engine cooling fan	AB Light blue-White	LV Blue-Green
162 Luggage compartment courtesy light	257 Relay for car interior fan 1st speed	AG Light blue-Yellow	MB Brown-White
163 Electric windscreen washer pump	258 Compressor switch	AN Light blue-Black	NZ Black-Violet
164 Electric pump for rearscreen washer	259 Current stealer terminal	AR Light blue-Red	RB Red-White
166 Compressor pulley electro-magnetic coupling	260 Timing sensor	AV Light blue-Green	RG Red-Yellow
167 Air conditioner 10 A protective fuse	261 Ignition unit	BG White-Yellow	RN Red-Black
168 Air conditioning system electro-magnet coupling relay feed	262 Ignition coil unit	BL White-Blue	RV Red-Green
171 Air conditioning system switch	263 Ignition coil unit	BN White-Black	SN Pink-Black
175 Idle pressure switch (anti-frost)	264 Multiple relay	BR White-Red	VB Green-White
176 Hydraulic control unit	265 Heated Lambda sensor	BV White-Green	VN Green-Black
177 Anti-lock brakes relay circuit	266 Connection for heater/air conditioner cables	BZ White-Violet	VR Green-Red
178 10 A protective fuse for anti-lock braking circuit		CA Orange-Light blue	ZB Violet-White
179 Anti-lock braking system electronic control unit		CB Orange-White	
180 Sensor on left front wheel			
181 Sensor on right front wheel			
182 Sensor on right rear wheel			
183 Sensor on left rear wheel			
184 Switch on clutch pedal			
188 Connection for electrically operated sun roof cables			
189 Electrically operated sun roof switch			
190 Electrically operated sun roof ideogram light			
191 Electric sun roof control unit			
192 Geared motor for electrically operated sun roof			
193 Sun roof end of travel switch			
194 Connection for sun roof cables			
195 Connection for sun roof cables			
216 Earths on engine			
225 Anti-lock braking system cable coupling			
227 Left front direction indicator			
228 Right front direction indicator			